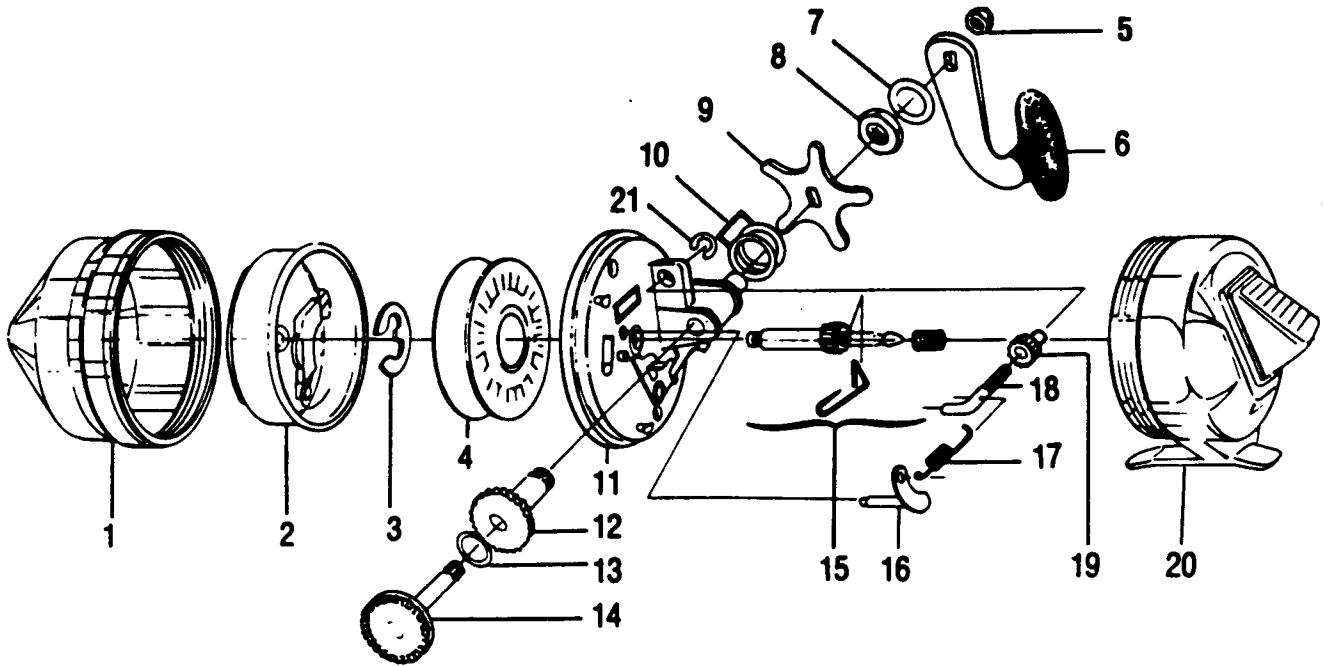


ZEBCO 888N



Key No.	Part No.	Description	Price
1	FE324-2	FRONT COVER S/A	6.45
2	EE310-1	SPINNERHEAD ASSY.	6.46
3	GZ034-1	SPOOL RETAINER CLIP	.57
4	FE021	SPOOL (EMPTY)	4.35
4	FE321-1	SPOOL W/25# HI PERF LINE	6.46
5	QZ003	CRANK NUT	.72
6	PY318-4	CRANK HANDLE S/A	3.53
7	FE086-1	CRANK SHAFT SPACER	.88
8	PY087-1	CRANK BUSHING NUT	.62
9	PY032-1	DRAG ADJ. STAR	1.33
10	MZ088-1	O-RING	.49
11	PY301-2	BODY ASSY.	5.03
12	PY326-2	CRANK BUSHING	4.41
13	PZ070-1	THRUST WASHER	.28
14	PZ308-2	CRANK SHAFT ASSY.	4.52
15	FE315-1	CENTER SHAFT ASSY.	3.70
16	PY307-1	CLUTCH SHAFT	1.66
17	MZ085-1	CLUTCH SPRING	.61
18	MZ032-1	CLUTCH SCREW	.61
19	MZ086	CLUTCH PINION	.61
20	EE323-3	BACK COVER S/A	5.90
21	MZ089-1	RETAINING CLIP	.49
22	PY009	THUMB STOP	1.05

Prices subject to change without notice. Prices do not include postage and handling.

PLEASE ORDER BY PART NUMBER

Rev. 5/93

Zebco Division Brunswick Corporation, Box 270, Tulsa, OK 74101 USA 918-836-5581

