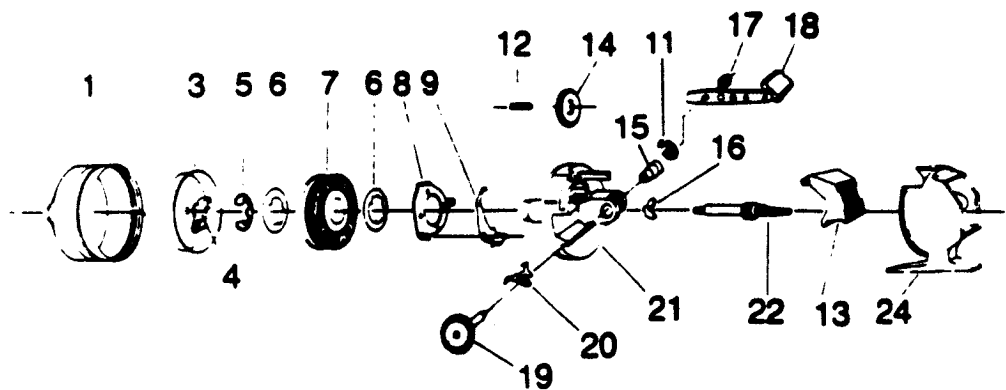


ZEBCO ZX8



KEY PART NO. NO.	DESCRIPTION	PRICE
1 ZZ324-7	FRONT COVER S/A	4.64
3 JY310	SPINNERHEAD	4.64
4 JY049	PICKUP PIN ARM SPRING	.41
5 JY034	SPOOL CLIP	.41
6 NY040	SPOOL WASHER	.77
7 JY021	SPOOL	2.00
7 JY321-8P	WIND SPOOL 88 LINE	4.87
8 AE027	CLUTCH RING	1.03
9 RY033	RATCHET SPRING	.39
11 JY121	RETAINER CLIP	.36
12 BJ054-2	CLUTCH SCREW	.62
13 AE009-3	THUMB STOP	.57
14 WY332-1	DRAG ADJ. WHEEL S/A	.77
15 SY026-1	CRANK SHAFT BUSHING	1.96
16 JY060	ANTI-REVERSE PAWL	.41
17 AZ003	CRANK NUT	.52
18 AE318	CRANK HANDLE S/A	2.01
19 JY309-3	CRANK GEAR S/A	2.83
20 JY061	PAWL ACTUATOR	.41
21 AE301-3	BODY ASSY.	3.86
22 WY315-2	CENTER SHAFT S/A	4.02
24 AE323-5	BACK COVER S/A	4.07

Prices subject to change without notice. Prices do not include postage and handling.

PLEASE ORDER BY PART NUMBER

Rev. 11/90

Zebco Division Brunswick Corporation, Box 270, Tulsa, OK 74101 USA 918-638-6881

