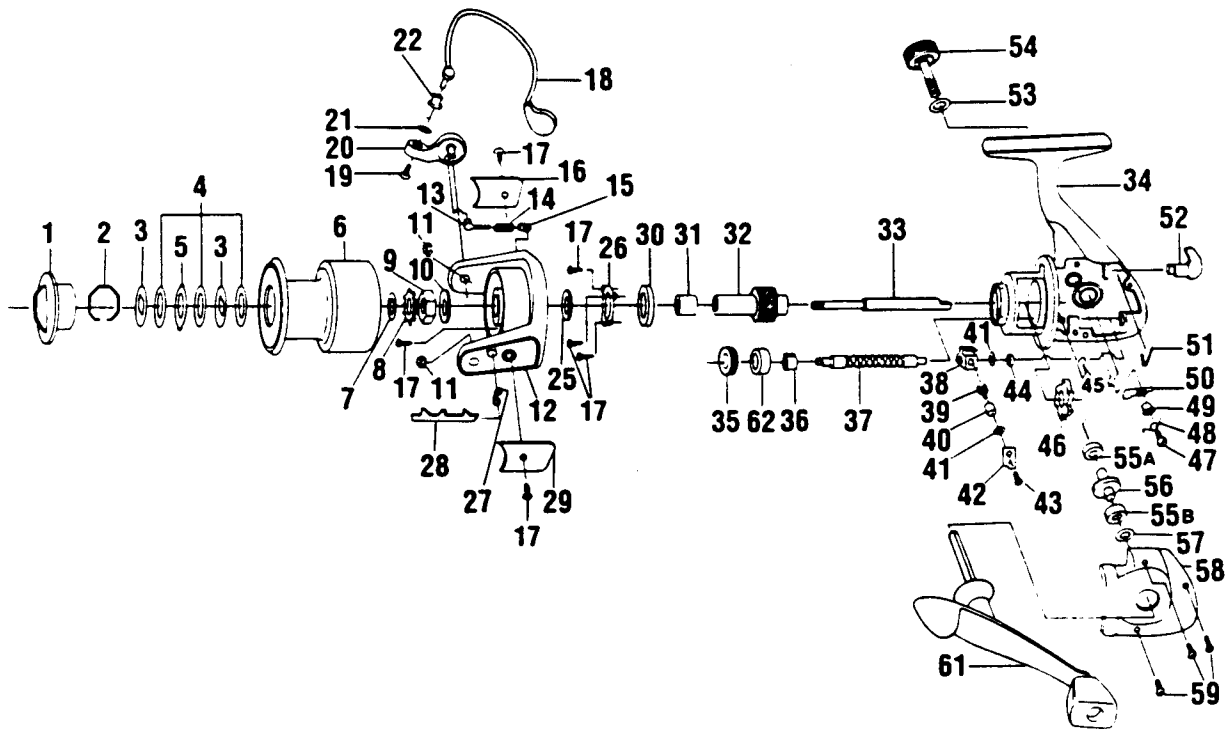


QUANTUM BACKCOUNTRY BC5-4



Key No.	Part No.	Description	Price	Key No.	Part No.	Description	Price
1	GH332-02	Drag Knob Assembly	2.80	33	TU015-01	Main Shaft	3.05
2	AQ038-01	Drag Retainer	.30	34	GH301-06	Body Assembly	12.95
3	TU080-01	Drag Washer "D"	1.10	35	GH200-01	Level Wind Gear	2.85
4	GH033-01	Drag Washer "B"	2.52	36	TU202-01	Worm Shaft Bushing Left	.30
5	TU081-01	Drag Washer "A"	1.10	37	TU201-01	Worm Shaft	2.80
6	GH321-06	Spool Assembly	7.00	38	TU204-01	Pawl Holder	3.15
7	TU030-01	Click Gear Washer	.90	39	TU207-01	Pawl	2.55
8	TU037-01	Click Gear	1.15	40	UQ208-03	Pawl Collar	.30
9	GU006-02	Rotor Nut	.80	41	GU105-31	Pawl/Level Wind Washer	.30
10	TL065-01	Rotor D Washer	1.10	42	GH205-01	Pawl Holder Retainer	1.15
11	GH034-01	E-Clip	.30	43	UQ100-02	Main Shaft Screw	.30
12	GH009-06	Rotor	9.25	44	GH203-01	Worm Shaft Bushing Right	.30
13	QL031-01	Bail Spring Shaft	.75	45	TU206-01	Worm Shaft Retainer	1.10
14	KQ049-05	Bail Spring	.30	46	GH074-01	Clutch Bearing	10.40
15	QL020-01	Bail Spring Holder	.30	47	GH077-01	Anti-Reverse Pawl Screw	.15
16	GH087-06	Arm Lever Spring Cover	2.60	48	TU061-01	Anti-Reverse Pawl Spring	.30
17	UQ057-01	Screw	.30	49	TU091-01	Anti-Reverse Pawl Post	1.10
18	GH347-06	Bail Assembly	3.70	50	TU063-01	Anti-Reverse Pawl	1.15
19	QA108-02	Line Slider Screw	.30	51	GH089-01	Anti-Reverse Lever Spring	1.15
20	GH007-06	Arm Lever	2.25	52	GH090-01	Anti-Reverse Lever	2.25
21	GU105-25	Line Roller Washer	.30	53	BQ105-01	Handle Cap Washer	.30
22	TU004-01	L/Roller W/Bearing	6.70	54	GH073-01	Handle Cap/Screw	1.75
25	GU105-12	Rotor Washer	.30	55A	BL157-01	Bearing	1.75
26	UQ040-01	Bearing Plate	1.10	55B	BL157-01	Bearing	5.25
27	GH049-01	Kick Lever Spring	.30	56	GH012-01	Drive Gear	1.90
28	GH019-01	Kick Lever	1.90	57	GU105-13	Adjust Washer	.62
29	GH024-06	Kick Lever Cover	2.60	58	GH023-06	Side Cover	5.40
30	UK028-01	Pinion Ball Bearing	5.55	59	KQ057-01	Side Cover Screws	.30
31	TU052-01	Bearing Sleeve	2.60	60	BQ132-01	Handle Stand Washer	.30
32	GH011-01	Pinion	4.10	61	GH318-05	Handle Assembly	11.10

Prices subject to change without notice. Prices do not include postage and handling.

PLEASE ORDER BY PART NUMBER

Rev. 6/95

Zebco Division Brunswick Corporation, Box 270, Tulsa, OK 74101 USA 918-836-5581

