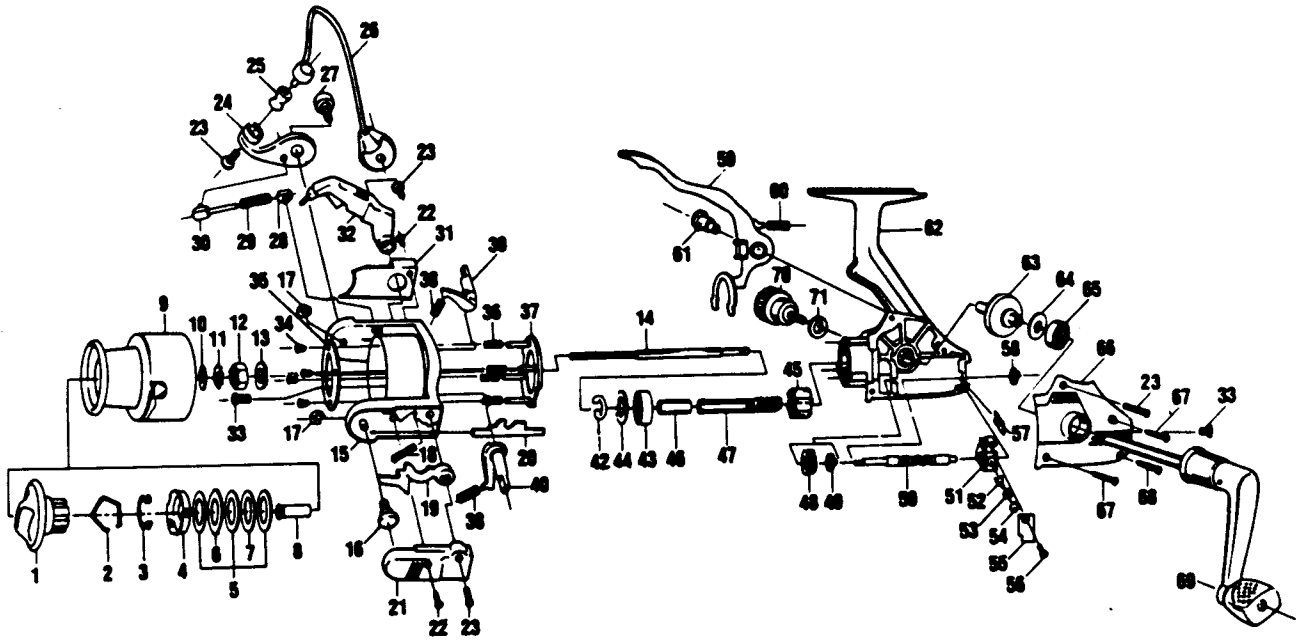


QUANTUM HC2



Key No.	Part No.	Description	Price	Key No.	Part No.	Description	Price
1	UQ332-2	Drab Knob Assembly	5.41	36	UQ119	Shaft Spring	.93
2	AQ038-1	Spool Ring	1.02	37	UQ351-2	Bail Plate Assembly	6.18
3	AQ027	Drag Knob Click Claw	1.13	38	UQ153	Link Shaft Spring	.93
4	AQ050	Spool Retainer	.66	39	XQ151-1	Link Shaft Arm	2.99
5	AQ033	Drag Washer "B"	.66	40	XQ152-1	Link Shaft Holder	2.99
6	AQ029	Drag Washer "A"	.66	42	XQ040-1	Snap Ring	1.08
7	AQ046	Drag Washer "D"	.66	43	BQ028	Ball Bearing	8.30
8	UQ160-2	Sleeve (Spool)	1.91	44	UQ110	Rotor Washer	.98
9	UQ321-2	Spool Assembly	10.65	45	UQ063	Clutch Bearing	9.79
10	BQ030	Click Gear Washer	.59	46	KW052-2	Bushing/Bearing	5.46
11	BQ037	Click Gear	.59	47	XQ011-1	Pinion Gear	6.18
12	QL006	Rotor Nut	1.56	48	XQ200-1	L/W Gear	3.04
13	TL065	Rotor Retainer Washer	.66	49	XQ202-1	Bushing W/S Left	1.08
14	XQ015-1	Main Shaft	3.14	50	XQ201-1	Worm Shaft	5.41
15	XQ009-1	Rotor	8.45	51	XQ204-1	Pawl Holder	3.24
16	XQ052-1	Bail Holder Pin	1.18	52	UQ207-2	Pawl	2.83
17	WX4665	E-Clip	.62	53	UQ208-2	Collar - L/W Pawl	1.08
18	UQ049	Kick Lever Spring	.93	54	UQ209	Washer - L/W Pawl	.93
19	XQ096-1	Link Holder	2.83	55	XQ205-1	Retainer - P/Holder	1.55
20	XQ020-1	Kick Lever	1.18	56	UQ100-2	Screw - Main Shaft	.93
21	UQ024	Kick Lever Cover	2.99	57	UQ206	Retainer - Worm Shaft	1.08
22	AQ085-2	K/L Cover Screw	.93	58	UQ203	Bushing W/S Right	1.08
23	AQ108-2	Screw	.93	59	UQ352-2	Bail Trip Lever Assy	5.46
24	XQ007-1	Arm Lever	2.63	60	UQ117	Spring - B/T Lever	.93
25	EQ004	Line Roller (W/Bearing)	5.67	61	UQ116	Lever Shaft	3.14
26	UQ347-2	Bail Assembly	6.33	62	XQ301-01	Body	10.30
27	XQ051	Arm Lever Pin	1.18	63	XQ012-1	Drive Gear	2.94
28	UQ020	Bail Spring Holder	1.18	64	AQ026-2	Washer - Gear	.98
29	UQ022	Bail Spring	.93	65	EQ157	Body Cover Bearing	6.13
30	UQ031	Bail Spring Shaft	1.18	66	XQ023-1	Body Cover	6.18
31	UQ087	Arm Lever Spring Cover	2.99	67	AQ057-2	Screw - Body Cover	.93
32	UQ397	Link Arm Lever	5.46	68	KQ057-2	Screw - Body Cover	.93
33	UQ057	Screw - Body Cover	.92	69	UQ318-2	Handle Assembly	10.30
34	UQ123	Plate Screw	.93	70	UQ073	Handle Screw Cap	1.70
35	XQ120-1	Retaining Plate	2.78	71	BQ105	Handle Cap Washer	.56

Prices subject to change without notice. Prices do not include postage and handling.

PLEASE ORDER BY PART NUMBER

Rev. 5/93

Zebco Division Brunswick Corporation, Box 270, Tulsa, OK 74101 USA 918-836-5581

