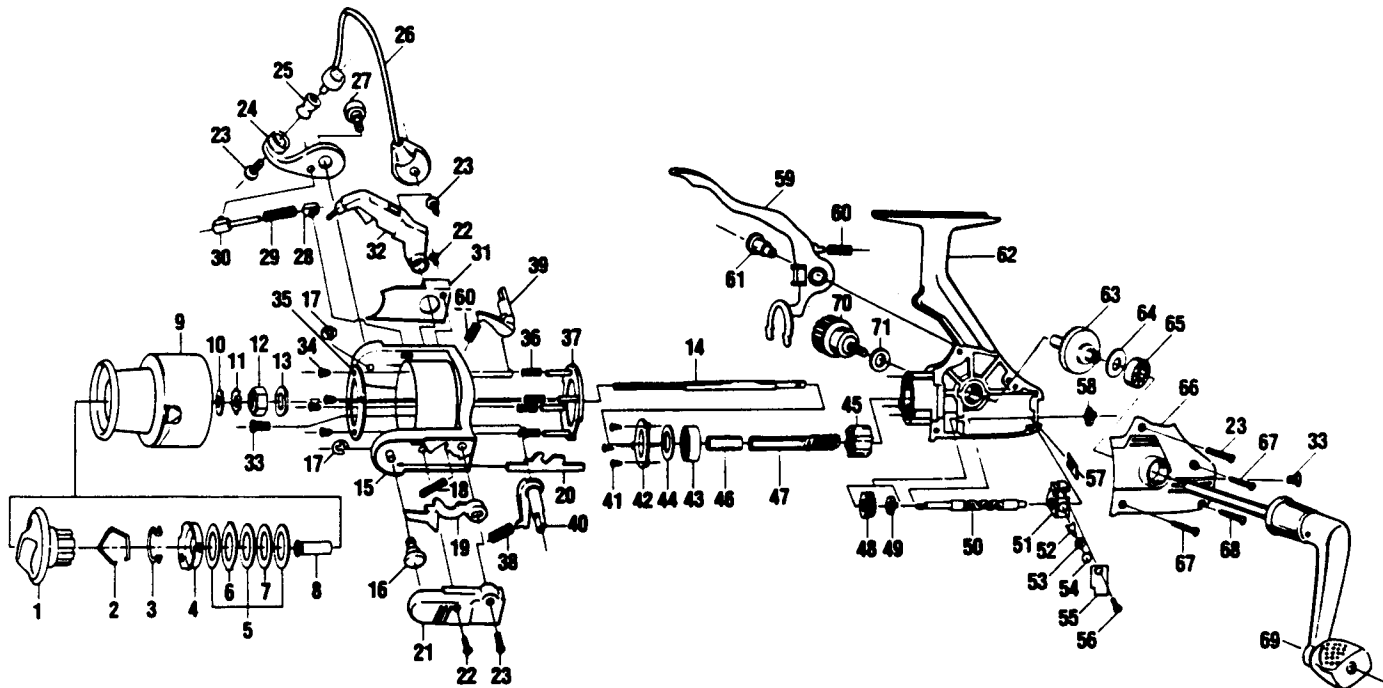


QUANTUM HC3



Key No.	Part No.	Description	Price	Key No.	Part No.	Description	Price
1	UQ332	DRAG KNOB ASSEMBLY	5.41	37	UQ351	BAIL PLATE ASSY	6.18
2	AQ038	DRAG RETAINER	1.02	38	UQ153	LINK SHAFT SPRING (SOFT)	.93
3	AQ027	DRAG KNOB CLICK CLAW	1.13	39	UQ151	LINK SHAFT ARM	2.99
4	AQ050	SPOOL WASHER 'C'	.66	40	UQ152	LINK SHAFT HOLDER	2.99
5	AQ033	SPOOL WASHER 'A'	.66	41	UQ080	BEARING PLATE SCREW	.93
6	AQ029	SPOOL WASHER 'B'	.66	42	UQ040	BEARING PLATE	1.08
8	UQ160	SPOOL SLEEVE	1.91	43	BQ028	B/BEARING - ROTOR	8.30
9	UQ321	SPOOL ASSEMBLY	10.65	44	UQ110	ROTOR WASHER	.98
10	BQ030	SPOOL ADJ. WASHER	.59	45	UQ063	CLUTCH BEARING	9.79
11	BQ037	SPOOL CLICK CLAW	1.24	46	KW052-2	BEARING SLEEVE	5.46
12	QL006	ROTOR NUT	1.56	47	UQ011	PINION GEAR	6.18
13	TL065	ROTOR RETAINER WASHER	.66	48	UQ200	LEVEL WIND GEAR	3.04
14	UQ015	MAIN SHAFT	3.14	49	UQ202	BUSHING WASHER (L)	1.08
15	UQ009	ROTOR	8.45	50	UQ201	WORM SHAFT	5.41
16	UQ052	BAIL HOLDER PIN	1.18	51	UQ204	PAWL HOLDER	3.24
17	WX4665	E-CLIP	.62	52	UQ207	PAWL	2.83
18	UQ049	KICK LEVER SPRING	.93	53	UQ208	COLLAR - L/W PAWL	1.08
19	UQ096	LINK HOLDER	2.83	54	UQ209	WASHER - L/W PAWL	.93
20	UQ019	KICK LEVER	2.83	55	UQ205	RETAINER - PAWL HOLDER	1.55
21	UQ024	KICK LEVER COVER	2.99	56	UQ100	SCREW - MAIN SHAFT	.93
22	AQ085-2	SCREW	.93	57	UQ206	RETAINER - WORM SHAFT	1.08
23	AQ108-2	SCREW	.93	58	UQ203	BUSHING WASHER (R)	1.08
24	UQ007	ARM LEVER	2.63	59	UQ352	BAIL TRIP LEVER ASSY	5.46
25	EQ004	LINE ROLLER	5.67	60	UQ117	SPRING - B/T LEVER	.93
26	UQ347	BAIL ASSEMBLY	6.33	61	UQ116	LEVER SHAFT	3.14
27	UQ051	ARM LEVER PIN	1.18	62	UQ301	BODY	10.30
28	UQ020	BAIL SPRING HOLDER	1.18	63	UQ012	DRIVE GEAR	2.94
29	UQ022	BAIL SPRING	.93	64	AQ026-2	WASHER	.98
30	UQ031	BAIL SPRING SHAFT	1.18	65	EQ157	B/B BODY COVER	.66
31	UQ087	BAIL SPRING COVER	2.99	66	UQ023	BODY COVER	6.18
32	UQ397	TRIP LINK ASSEMBLY	5.46	67	AQ057-2	SCREW	.93
33	UQ057	SCREW	.93	68	KQ057-2	SCREW	.93
34	UQ123	PLATE SCREW	.93	69	UQ318	HANDLE ASSEMBLY	10.30
35	UQ118	BAIL PLATE	2.78	70	UQ073	HANDLE SCREW CAP	1.70
36	UQ119	SHAFT SPRING	.93	71	BQ105	HANDLE CAP WASHER	.56

Prices subject to change without notice. Prices do not include postage and handling.

PLEASE ORDER BY PART NUMBER

Rev. 5/93

Zebco Division Brunswick Corporation, Box 270, Tulsa, OK 74101 USA 918-836-5581

