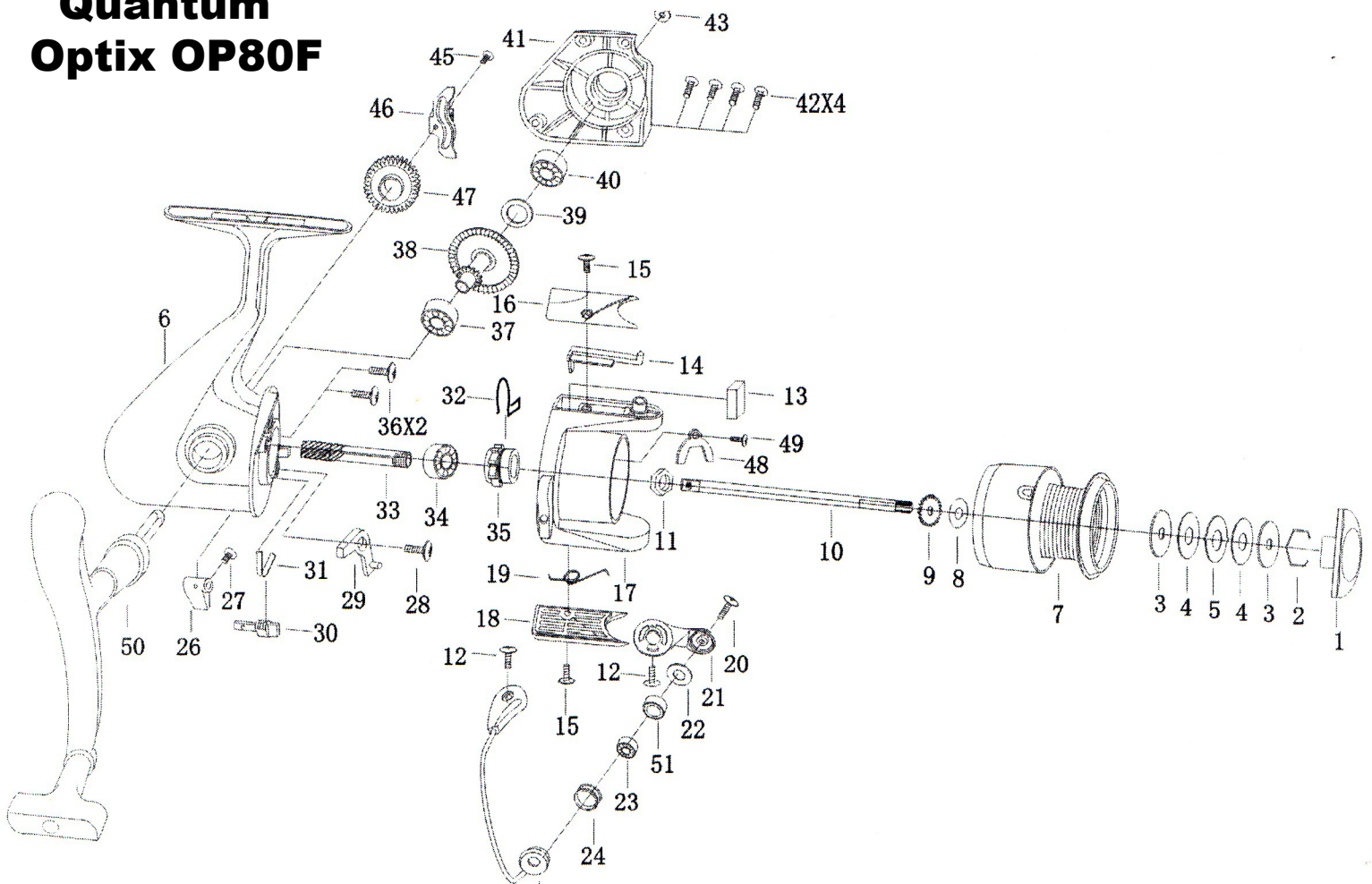


Quantum Optix OP80F



Please call (800) 588-9030 for part availability

KEY #	DESCRIPTION
1	DRAG KNOB
2	DRAG WASHER RETAINER
3	KEY WASHER
4	DRAG WASHER
5	EARED WASHER
6	BODY
7	SPOOL ASSY.
8	SPOOL WASHER
9	CLIP GEAR
10	MAIN SHAFT
11	ROTOR NUT
12	SCREW
13	BALANCE WEIGHT
14	KICK LEVEL
15	SCREW
16	BAIL HOLDER COVER
17	ROTOR
18	BAIL ARM COVER
19	BAIL ARM SPRING
20	LINE ROLLER SCREW
21	BAIL ARM
22	LINE ROLLER WASHER
23	BALL BEARING
24	LINE ROLLER
25	BAIL ASSY.

KEY #	DESCRIPTION
26	ANTI-REVERSE BUTTON
27	SCREW
28	SCREW
29	ANTI-REVERSE PAWL
30	ANTI-REVERSE BAR
31	ANTI-REVERSE BAR SPRING
32	SILENT SPRING
33	PINION GEAR
34	BALL BEARING
35	ANTI-REVERSE RATCHET
36	SCREW
37	BALL BEARING
38	DRIVER GEAR
39	WASHER
40	BALL BEARING
41	SIDE PLATE ASSY.
42	SIDE PLATE SCREW
43	WASHER
44	HANDLE SCREW CAP
45	OSCILLATION SCREW
46	OSCILLATION SLIDER
47	OSCILLATION GEAR
48	LOCKING SLICE
49	SCREW
50	HANDLE ASSY.
51	LINE ROLLER BUSHING