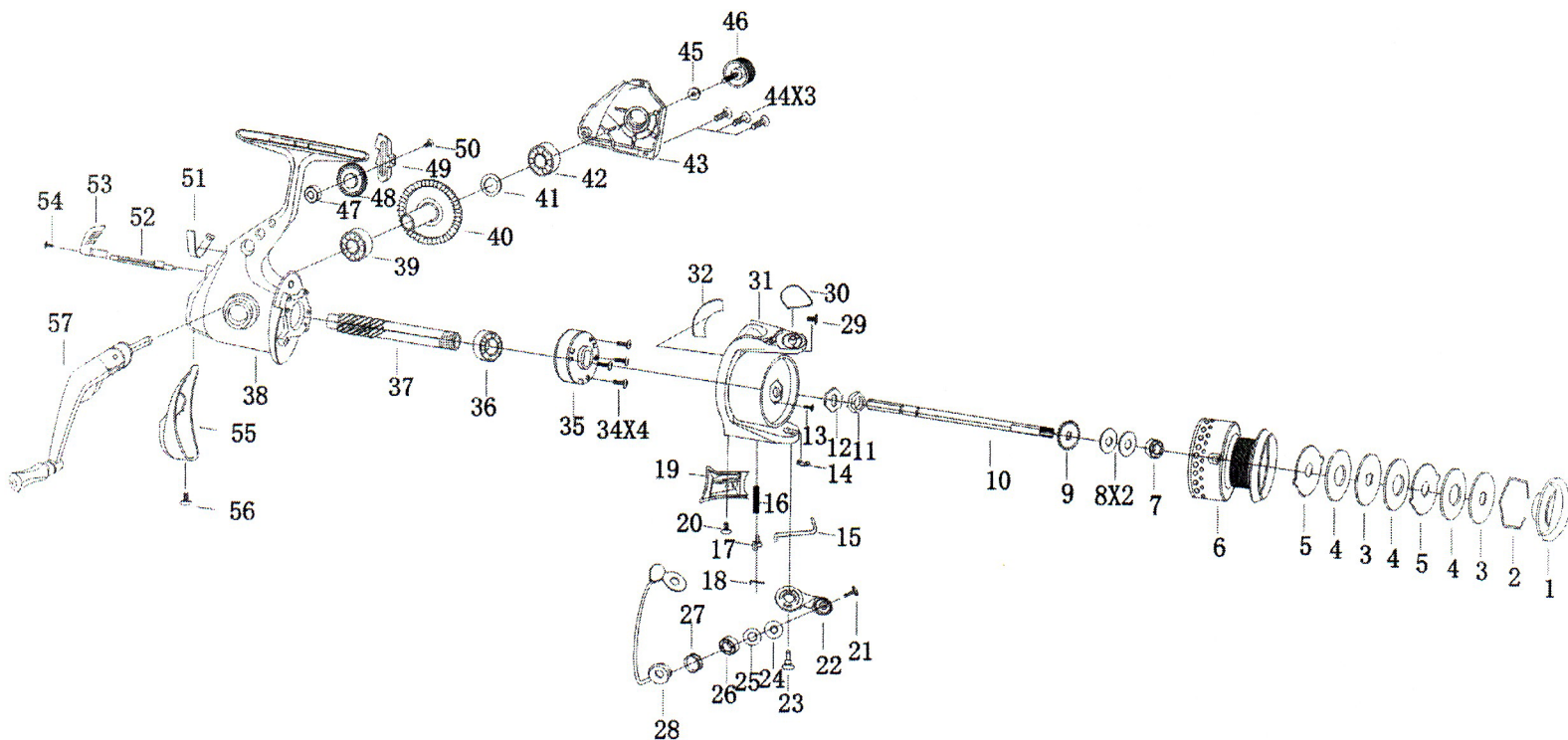


# Quantum Plazma PLM10



**Please call (800) 588-9030 for part availability**

|       |                     |       |   |
|-------|---------------------|-------|---|
| KEY # | DESCRIPTION         | KEY # | DESCRIPTION                               |
| 1     | DRAG KNOB           | 29    | SCREW                                     |
| 2     | HEXAGON CLIP        | 30    | BAIL ARM COVER                            |
| 3     | KEY WASHER          | 31    | ROTOR                                     |
| 4     | DRAG WASHER         | 32    | BALANCE WEIGHT                            |
| 5     | EAR WASHER          | 34    | SCREW                                     |
| 6     | SPOOL               | 35    | ONE-WAY CLUTCH ASSY.                      |
| 7     | BALL BEARING        | 36    | BALL BEARING                              |
| 8     | CLICK GEAR WASHER   | 37    | PINION GEAR                               |
| 9     | CLICK GEAR          | 38    | MAIN BODY                                 |
| 10    | MAIN SHAFT          | 39    | BALL BEARING                              |
| 11    | ROTOR NUT           | 40    | DRIVE GEAR                                |
| 12    | PINION GEAR SPACER  | 41    | DRIVE GEAR WASHER                         |
| 13    | SCREW               | 42    | BALL BEARING                              |
| 14    | E-CLIP              | 43    | SIDE PLATE                                |
| 15    | FLIP WIRE           | 44    | SIDE PLATE SCREW                          |
| 16    | SPRING              | 45    | HANDLE SCREW CAP'S WASHER                 |
| 17    | FLIP LEVER          | 46    | HANDLE SCREW                              |
| 18    | FLIP WIRE           | 47    | OSCILLATION BUSHING                       |
| 19    | ARM LEVER COVER     | 48    | OSCILLATION GEAR                          |
| 20    | SCREW               | 49    | OSCILLATION SLIDER                        |
| 21    | SCREW               | 50    | SLIDER SCREW                              |
| 22    | BAIL ARM            | 51    | SPRING                                    |
| 23    | SCREW               | 52    | FLIP LEVER                                |
| 24    | LINE ROLLER BUSHING | 53    | ANTI-REVERSE LEVER                        |
| 25    | WASHER              | 54    | SCREW                                     |
| 26    | BALL BEARING        | 55    | BODY BUTT CAP                             |
| 27    | LINE ROLLER         | 56    | SCREW                                     |
| 28    | BAIL ASSY.          | 57    | HANDLE ASSY. (INCLUDED TWO BALL BEARINGS) |