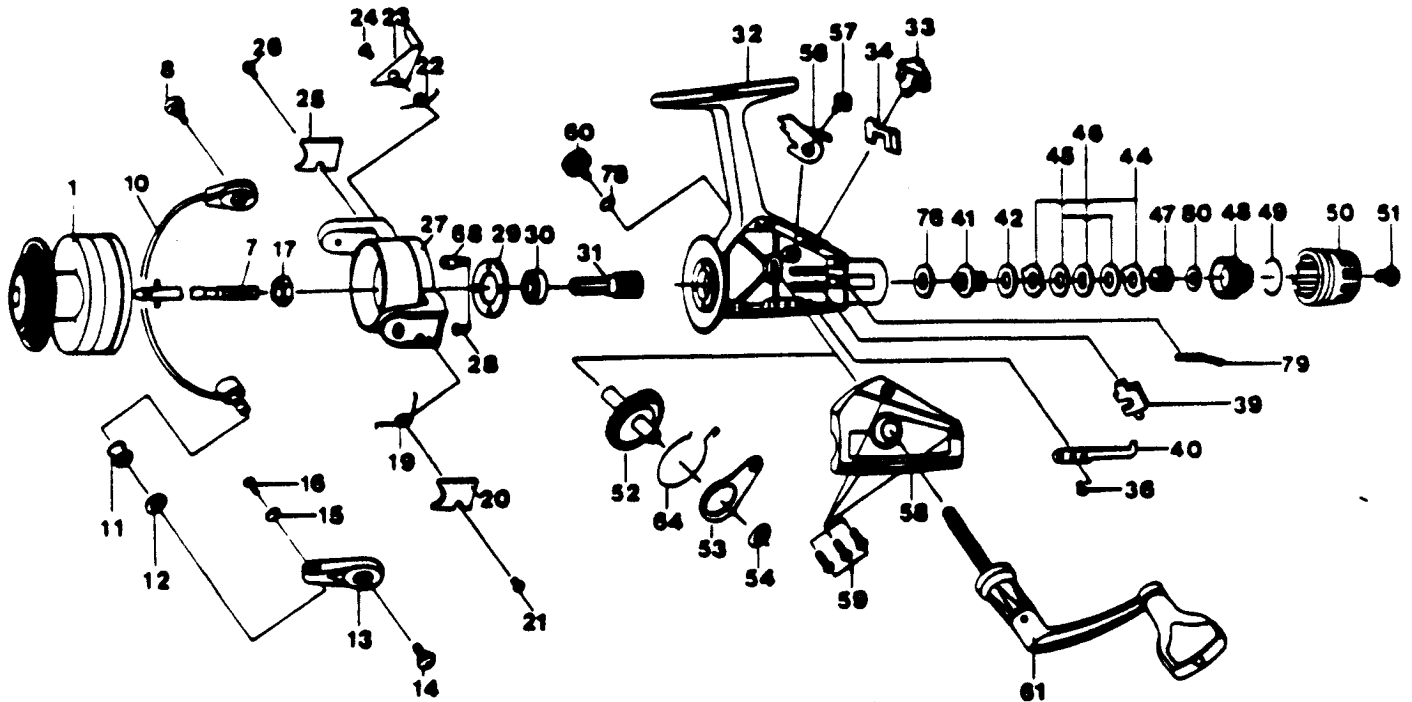


ZEBCO 608



KEY PART NO. NO.
1 JS321
7 GS315
8 GS048
10 GS347
11 NB004
12 FS016
13 GS007
14 GS051
15 FS102
16 FS108
17 RB006
19 RB022
20 JS087
21 FS085
22 RB049
23 RB019
24 RB037
25 JS024
26 FS085
27 JS009
28 NB080
29 RB040
30 FS028
31 FS011
32 JS301
33 FS059
34 FS090
36 NB080

DESCRIPTION
SPOOL ASSY.
CTR SHAFT ASSY.
BAIL SCREW B
BAIL ASS'Y
LINE ROLLER
LN/ROLLER/BUSH.
BAIL ARM A
BAIL SCREW A
BAIL AXLE WASH
BAIL AXLE SCREW
ROTOR NUT
BAIL SPR. PS20
BAIL SPRING COVER
BAIL TRIP LVR CVR
TRIP LVR. SPR.
TRIP LVR. PS20
TRIP LEVER SCREW
TRIP LVR. COVER
BAIL TRIP LVR CVR
ROTOR
BEARING RET. SCR.
BEARING RET.
BALL BEARING
PIN.GEAR 4110,20
BODY ASSY.
A/R LEVER
A/R LVR. SP.
BEARING RET. SCR.

PRICE
6.02
2.93
1.12
6.02
1.09
1.09
1.72
1.09
.58
.39
.58
.52
.85
.39
.39
.69
.39
.85
.39
6.08
.29
.58
8.60
3.78
5.85
.63
1.09
.29

KEY PART NO. NO.
39 FS081
40 FS068
41 FS104
42 FS046
44 FS030
45 VB039
46 VB071
47 VB031
48 FS112
49 VB070
50 JS032
51 FS079
52 FS012
53 FS025
54 RB026
56 FS063
57 FS089
58 JS323
59 FS057
60 FS073
61 FS318
64 RB086
68 RB062
76 FS035
78 FS105
79 FS033
80 FS036

DESCRIPTION
PIN SLIDER
CLICK CLAM
SLIDER HOLDER
DRAG WASHER C
DRAG WASHER A
DRAG WASHER B
DRAG WASHER D
DRAG COIL SPR
DRAG NUT
DRAG RET. RING
DRAG KNOB
DRAG SCREW
CRANK GEAR 4110-20
OSCILLATOR SLIDER
CRANK GEAR SKIN
A/R PAWL
A/R SCREW
SIDE PLATE ASSY.
SLIDE PLATE SCR.
HANDLE CAP
HANDLE ASSY
SLIDER SPRING
KICK LEVER PIN
DRAG WASHER E
HNDLE SCR. WASH
BACK CLAM
REAR DRAG WASH

PRICE
1.14
1.14
.85
.46
.85
.46
.34
.80
.85
.52
1.55
.63
2.41
1.32
.29
1.72
.58
5.16
.85
1.09
6.31
.39
.29
.46
.46
1.09
.46

Prices subject to change without notice. Prices do not include postage and handling.

PLEASE ORDER BY PART NUMBER

Rev. 11/90

Zebco Division Brunswick Corporation, Box 270, Tulsa, OK 74101 USA 918-686-6881

