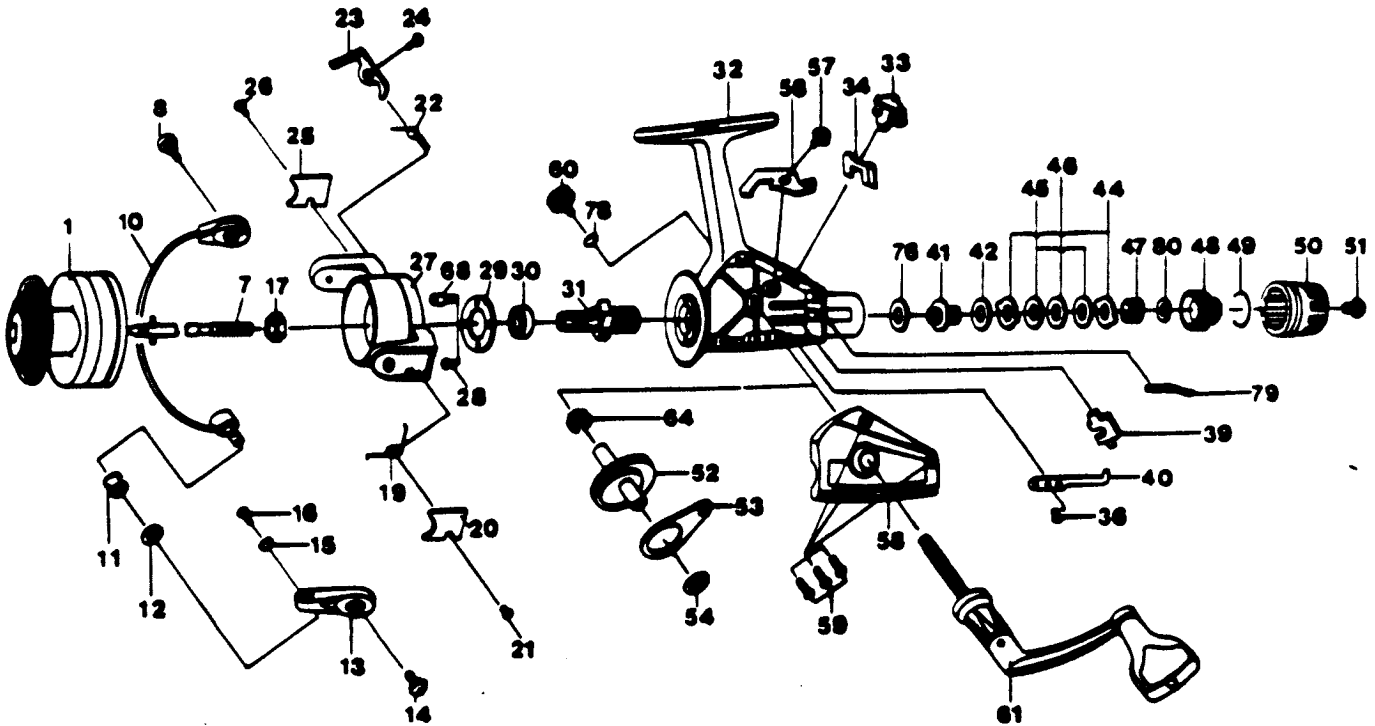


# TEPCO CR10



## KEY PART

NO.	NO.	DESCRIPTION	PRICE
1	AK321	SPOOL ASSEMBLY	7.17
7	GB315	CTR SHAFT ASSY.	2.93
8	GB048	BAIL SCREW B	1.12
10	GB347	BAIL ASS'Y	6.02
11	NB004	LINE ROLLER	1.09
12	FS016	LN/ROLLER/BUSH.	1.09
13	GB007	BAIL ARM A	1.72
14	GB051	BAIL SCREW A	1.09
15	FS102	BAIL AXLE WASH	.58
16	FS108	BAIL AXLE SCREW	.39
17	RB006	ROTOR NUT	.58
19	RB022	BAIL SPR. FS20	.52
20	AK087	BAIL SPRING COVER	.85
21	FS085	BAIL TRIP LVR CVR	.39
22	RB049	TRIP LVR. SPR.	.39
23	RB019	TRIP LVR. FS20	.69
24	RB037	TRIP LEVER SCREW	.39
25	AK024	TRIP LEVER COVER	.85
26	FS085	BAIL TRIP LVR CVR	.39
27	AK009	ROTOR	6.08
28	NB080	BEARING RET. SCR.	.29
29	RB040	BEARING RET.	.58
30	FS028	BALL BEARING	8.60
31	FS011	PIN.GEAR 4110, 20	3.78
32	AK301	BODY ASSEMBLY	5.88
33	FS059	A/R LEVER	.63
34	FS090	A/R LVR. SP.	1.09
35	NB080	BEARING RET. SCR.	.29

## KEY PART

NO.	NO.	DESCRIPTION	PRICE
36	FS081	PIN SLIDER	1.14
40	FS068	CLICK CLAM	1.14
41	FS104	SLIDER HOLDER	.85
42	FS046	DRAG WASHER C	.46
44	FS030	DRAG WASHER A	.85
45	VB039	DRAG WASHER B	.46
46	VB071	DRAG WASHER D	.34
47	VB031	DRAG COIL SPR	.80
48	FS112	DRAG NUT	.85
49	VB070	DRAG RET. RING	.52
50	AK032	DRAG KNOB	1.55
51	FS079	DRAG SCREW	.63
52	FS012	CRANK GEAR 4110-20	2.41
53	FS025	OSCILLATOR SLIDER	1.32
54	RB026	CRANK GEAR SHIM	.29
56	FS063	A/R PAWL	1.72
57	FS089	A/R SCREW	.58
58	AK323	SIDE PLATE ASSY.	5.16
59	FS057	SLIDE PLATE SCR.	.85
60	FS073	HANDLE CAP	1.09
61	FS318	HANDLE ASSY	6.31
64	RB086	SLIDER SPRING	.39
68	RB062	KICK LEVER PIN	.29
76	FS035	DRAG WASHER E	.46
78	FS105	HNDLE SCR. WASH	.46
79	FS033	BACK CLAM	1.09
80	FS036	REAR DRAG WASH	.46

Prices subject to change without notice. Prices do not include postage and handling.

**PLEASE ORDER BY PART NUMBER**

Rev. 11/80

Zebco Division Brunswick Corporation, Box 278, Tulsa, OK 74101 USA 918-688-8881

