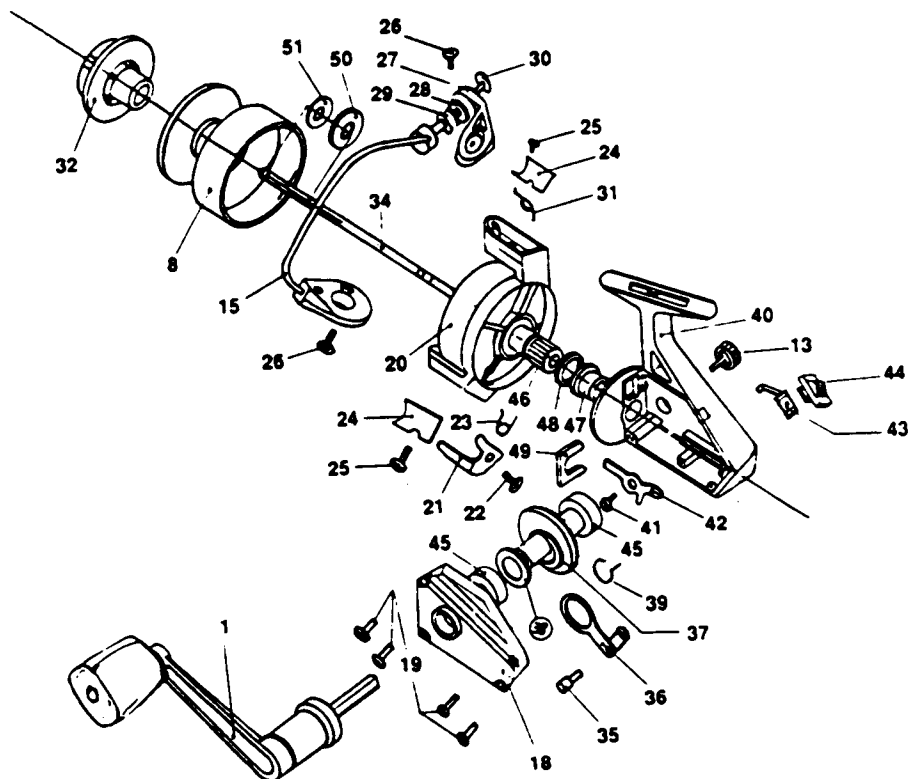


ZEBCO® RX60



Key No.	Part No.	Description	Price	Key No.	Part No.	Description	Price
1	KK318-1	HANDLE ASSY.	6.84	42	KK063-1	ANTI-REVERSE PAWL	1.38
8	KK321-1	SPOOL	6.31	43	JK090-1	ANTI-REVERSE SPRING	1.55
13	JK073	HANDLE SCREW CAP	.98	44	JK059	ANTI-REVERSE LEVER	.75
15	KK347	BAIL ASSY.	4.48	45	JK013	SIDE PLATE BUSHING	.75
18	KK323-1	SIDE PLATE	3.39	46	KK011-1	PINION GEAR	2.00
19	JK057	SIDE PLATE SCREW	.39	47	KK126	PINION GEAR BUSHING	.91
20	KK009-1	ROTOR	4.53	48	KK010	PINION GEAR WASHER	.58
21	KK019	STOP LEVER	1.83	49	KK125	ROTOR HOLDING PLATE	.58
22	KK037	STOP LEVER SCREW	.58	50	KK161-1	CLICK	.91
23	KK047-1	STOP LEVER SPRGIN	.91	51	KK162	CLICK WASHER	.63
24	KK087-1	ROTOR COVER	2.00				
25	KK085	ROTOR COVER SCREW	.39				
26	KK051	ANGLE LEVER SCREW	.63				
27	KK007-1	ANGLE LEVER	1.78				
28	KK016-1	LINE ROLLER WASHER	.58				
29	JK004-1	LINE ROLLER	1.04				
30	JK108-1	LINE ROLLER SCREW	.39				
31	KK049	TURNING SPRING	.98				
34	KK315-1	MAIN SHAFT ASSY.	2.00				
35	KK084	OSCILLATOR SLIDER PIN	.75				
36	KK025-1	OSCILLATOR SLIDER ARM	1.67				
37	KK012-1	DRIVE GEAR	3.73				
38	JK026	DRIVE GEAR WASHER	.58				
39	KK213	DRIVE GEAR SPRING	.85				
40	KK301-1	BODY ASSY	6.89				
41	KK089	ANTI-REVERSE PAWL SCREW	.58				

Prices subject to change without notice. Prices do not include postage and handling.

PLEASE ORDER BY PART NUMBER

Rev. 5/93

Zebco Division Brunswick Corporation, Box 270, Tulsa, OK 74101 USA 918-836-5581

BC
BRUNSWICK