



ZS1

WARNING!!!

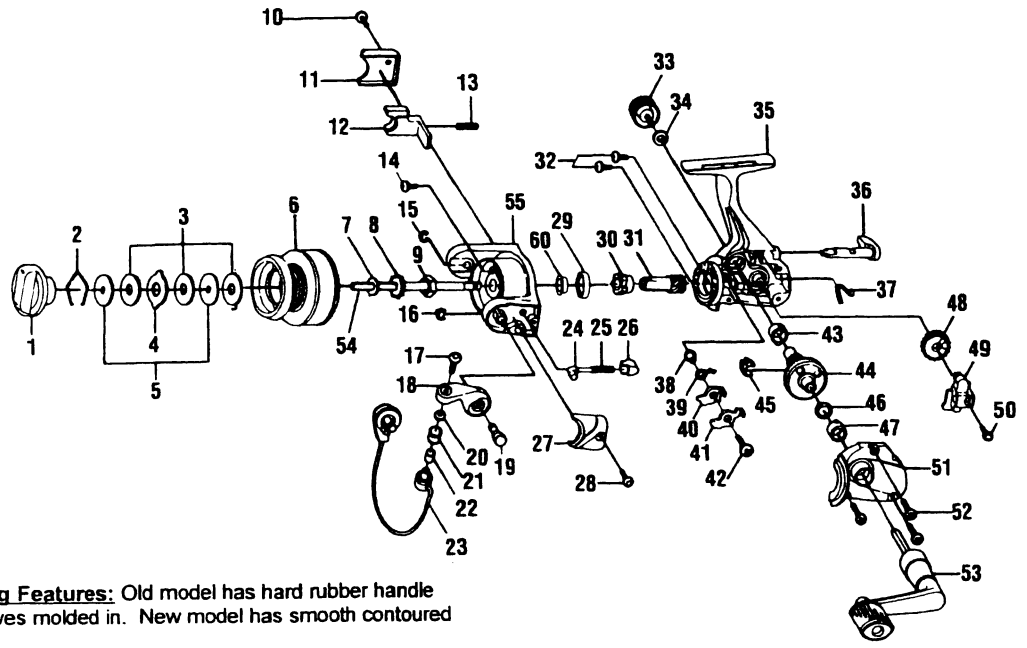
These parts are not interchangeable with new model

SPECIFICATIONS:

- Ultra Light
- 125 yds/4 lb. Line Capacity
- Front Drag
- 4.4:1 Ratio
- 7.1 oz. Weight

FEATURES:

- Three-Way Silent (On/Off/Self) Anti-Reverse
- Right/Left Interchangeable Handle
- Internal Bail Trip
- Rotating Line Roller
- Rugged Brass Pinion Gear



Distinguishing Features: Old model has hard rubber handle knob with grooves molded in. New model has smooth contoured handle knob.

Special Handling Instructions: If specific model version cannot be identified for parts order, send one of each part (for old and new model) and charge for one part.

Key No.	Part No.	Description	Price	Key No.	Part No.	Description	Price
1	GU332-02	Drag Knob Assembly	2.80	30	GU060-01	Ratchet Gear	2.06
2	GU038-01	Drag Retainer	.26	31	GU011-01	Pinion Gear	1.65
3	GU105-05	Drag Washer "B"	.67	32	GU077-01	Bearing Screw	.15
4	GU081-01	Drag Washer "A"	.52	33	GU073-01	Handle Screw Cap	.62
5	GU080-01	Drag Washer "D"	.52	34	GU105-01	Handle Cap Washer	.10
6	GU321-15	Spool Assembly	4.45	35	GU001-31	Body	2.60
7	GU105-06	Spool Adjustment Washer	.36	36	GU090-01	Anti-Reverse Stopper Lever	1.49
8	GU037-01	Click Gear	.52	37	GU089-01	Anti-Reverse Lever Spring	.52
9	GU006-01	Rotor Nut	.31	38	GU091-01	Anti-Reverse Pawl Post	.26
10	GU077-02	Kick Lever Cover Screw	.15	39	GU061-01	Anti-Reverse Pawl Spring	.36
11	GU046-01	Kick Lever Cover	.21	40	GU063-01	Anti-Reverse Pawl "A"	.46
12	GU019-01	Kick Lever	.41	41	GU074-01	Anti-Reverse Pawl "B"	.46
13	KQ049-01	Kick Lever Spring	.26	42	GU077-05	Anti-Reverse Pawl Screw	.15
14	GU077-04	Rotor Nut Lock Screw	.15	43	GU027-01	Gear Shaft Bushing	.82
15	KQ034-01	E-Clip	.15	44	GU012-01	Drive Gear	2.88
16	KQ034-01	E-Clip	.15	45	GU086-01	Silent Cam	.41
17	KQ108-01	Line Slider Screw	.31	46	GU105-08	Drive Gear Adj. Washer	.15
18	LU007-01	Arm Lever	.77	47	GU027-01	Body Cover Bushing	.82
19	GU051-02	Arm Lever Pin	.46	48	GU053-01	Oscillator Gear	.88
20	GU105-07	Line Roller Washer	.15	49	GU025-01	Oscillator Slider	.88
21	MT004-01	Line Roller	1.24	50	GU100-01	Main Shaft Screw	.15
22	MT016-02	Line Roller Bushing	.77	51	GU023-31	Body Cover	2.70
23	GU347-02	Bail Assembly	3.66	52	GU057-01	Body Cover Screw	.15
24	KQ031-01	Arm Lever Spring Pin	.26	53	GU318-43	Handle Assembly	2.25
25	KQ049-03	Arm Lever Spring	.36	54	GU015-01	Main Shaft	1.91
26	QL020-01	Arm Lever Spring Holder	.31	55	GU009-19	Rotor	4.45
27	LU087-01	Arm Lever Spring Cover	.20	60	GU110-01	Pinion Collar	.45
28	GU077-02	Arm Lever Cover Screw	.15				
29	GU028-01	Pinion Bushing	.70				

MODEL INTRODUCED	1997	EFFECTIVE DATE OF PARTS LIST/DIAGRAM	Oct. 1996	DISCONTINUED	N/A
------------------	------	--------------------------------------	-----------	--------------	-----