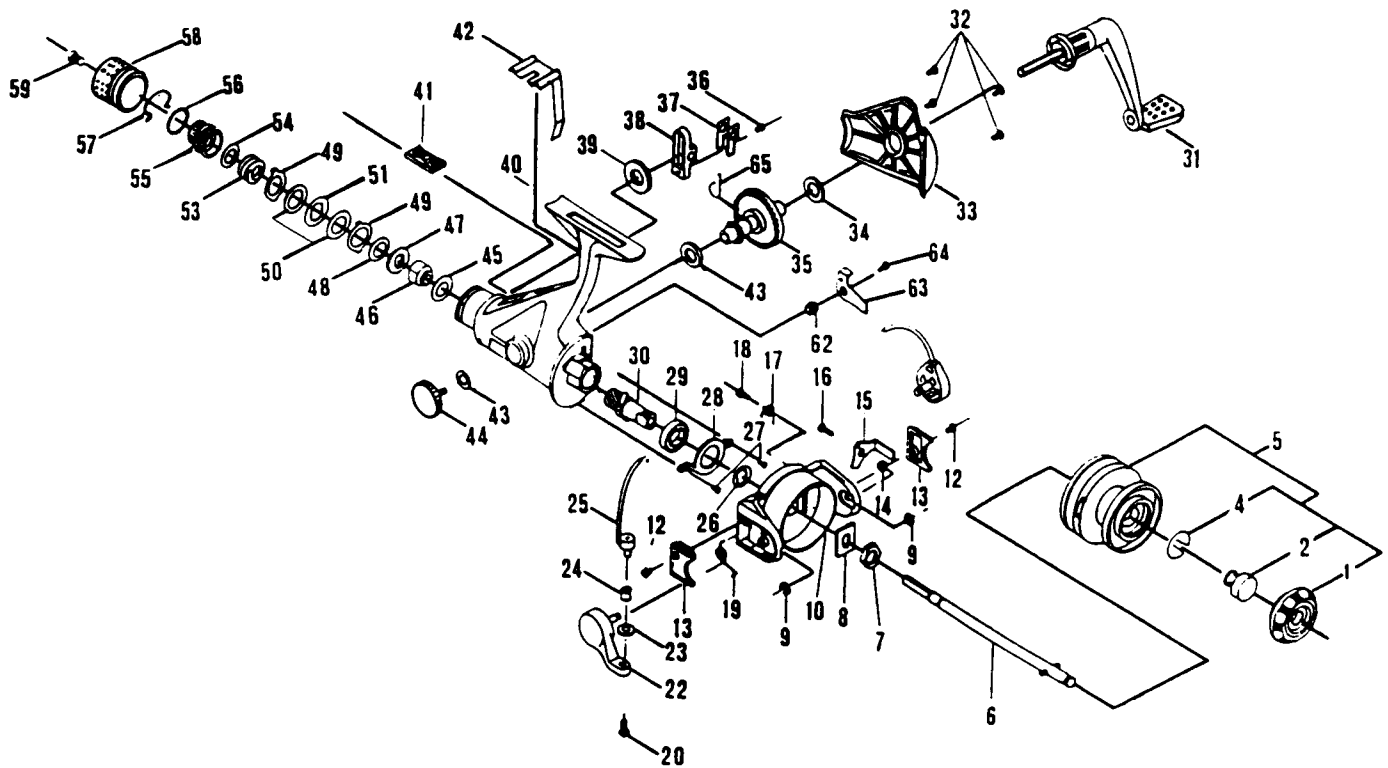


# QUANTUM CS30



| Key No. | Part No. | Description              | Price | Key No. | Part No. | Description         | Price |
|---------|----------|--------------------------|-------|---------|----------|---------------------|-------|
| 1       | YQ032-2  | Spool Cap                | 1.55  | 34      | YQ157-2  | Drive Gear Bushing  | 1.15  |
| 2       | YQ402-2  | Spool Release Button     | 1.24  | 35      | YQ012-2  | Drive Gear          | 3.14  |
| 4       | YQ038-2  | Spool Locking Spring     | 1.13  | 36      | YQ081-2  | Holder Screw        | .62   |
| 5       | YQ321-3  | Spool                    | 8.19  | 37      | YQ059-2  | Lever Wind Hold     | 1.13  |
| 6       | Q015-3   | Main Shaft               | 1.65  | 38      | YQ084-2  | Lever Wind Bracket  | 1.24  |
| 7       | YQ006-2  | Pickup Housing Nut       | .93   | 39      | YQ085-3  | Lever Wind Gear     | 1.34  |
| 8       | YQ105-2  | Pickup Housing Washer    | 1.13  | 40      | YQ001-3  | Frame               | 8.50  |
| 9       | YQ034-2  | Retaining Ring           | .62   | 41      | YQ054-2  | Push Button         | 1.24  |
| 10      | YQ009-2  | Pickup Housing           | 7.42  | 42      | YQ068-2  | Push Button Spring  | 1.13  |
| 12      | YQ077-2  | Bracket Cover Screw      | .62   | 43      | YQ157-2  | Drive Gear Bushing  | 1.13  |
| 13      | YQ087-3  | Bracket Cover            | 1.03  | 44      | YQ073-2  | Crank Locking Screw | 1.55  |
| 14      | YQ203-2  | Trip Lever Washer        | .93   | 45      | YQ033-2  | Front Drag Washer   | .93   |
| 15      | YQ115-3  | Trip Lever               | 1.03  | 46      | YQ027-2  | Drag Stem           | 1.13  |
| 16      | YQ078-2  | Trip Lever Screw         | .62   | 47      | YQ027-2  | Click Ratchet       | 1.13  |
| 17      | YQ049-3  | Trip Lever Spring        | .82   | 48      | YQ029-2  | Drag Washer         | .93   |
| 18      | YQ079-2  | Trip Spring Screw        | .62   | 49      | YQ046-2  | Eared Drag Washer   | 1.03  |
| 19      | YQ022-2  | Trip Spring              | .93   | 50      | YQ031-2  | Drag Washer         | .93   |
| 20      | YQ108-2  | Line Roller Screw        | 1.49  | 51      | YQ030-2  | Keyed Drag Washer   | .93   |
| 22      | YQ007-2  | Bail Bracket             | 1.60  | 53      | YQ029-2  | Drag Spring         | .93   |
| 23      | YQ017-2  | Line Roller Washer       | 1.13  | 54      | YQ026-2  | Drag Spring Washer  | .93   |
| 24      | YQ004-2  | Line Roller              | 1.70  | 55      | YQ050-2  | Drag Insert         | 1.55  |
| 25      | YQ347-3  | Bail Wire                | 3.24  | 56      | YQ037-3  | Wire Washer         | 1.03  |
| 26      | YQ126-2  | Pinion Washer            | .62   | 57      | YQ036-2  | Wire Spring         | .93   |
| 27      | YQ080-2  | Ball Race Retainer Screw | .62   | 58      | YQ332-2  | Drag Knob           | 1.49  |
| 28      | YQ040-2  | Ball Race Retainer       | 1.13  | 59      | YQ101-3  | Drag Screw          | 1.03  |
| 29      | YQ028-2  | Ball Race                | 3.35  | 62      | YQ102-2  | N-R Pawl Washer     | 1.13  |
| 30      | YQ011-2  | Pinion                   | 1.44  | 63      | YQ103-3  | N-R Pawl            | 1.13  |
| 31      | YQ318-2  | Crank Arm                | 5.46  | 64      | YQ104-2  | N-R Pawl Screw      | .52   |
| 32      | YQ057-2  | Cover Plate Screw        | 1.13  | 65      | YQ106-2  | N-R Pawl Spring     | .93   |
| 33      | YQ023-3  | Cover Plate              | 8.14  |         |          |                     |       |

Prices subject to change without notice. Prices do not include postage and handling.

**PLEASE ORDER BY PART NUMBER**

Rev. 6/95

Zebco Division Brunswick Corporation, Box 270, Tulsa, OK 74101 USA 918-836-5581

