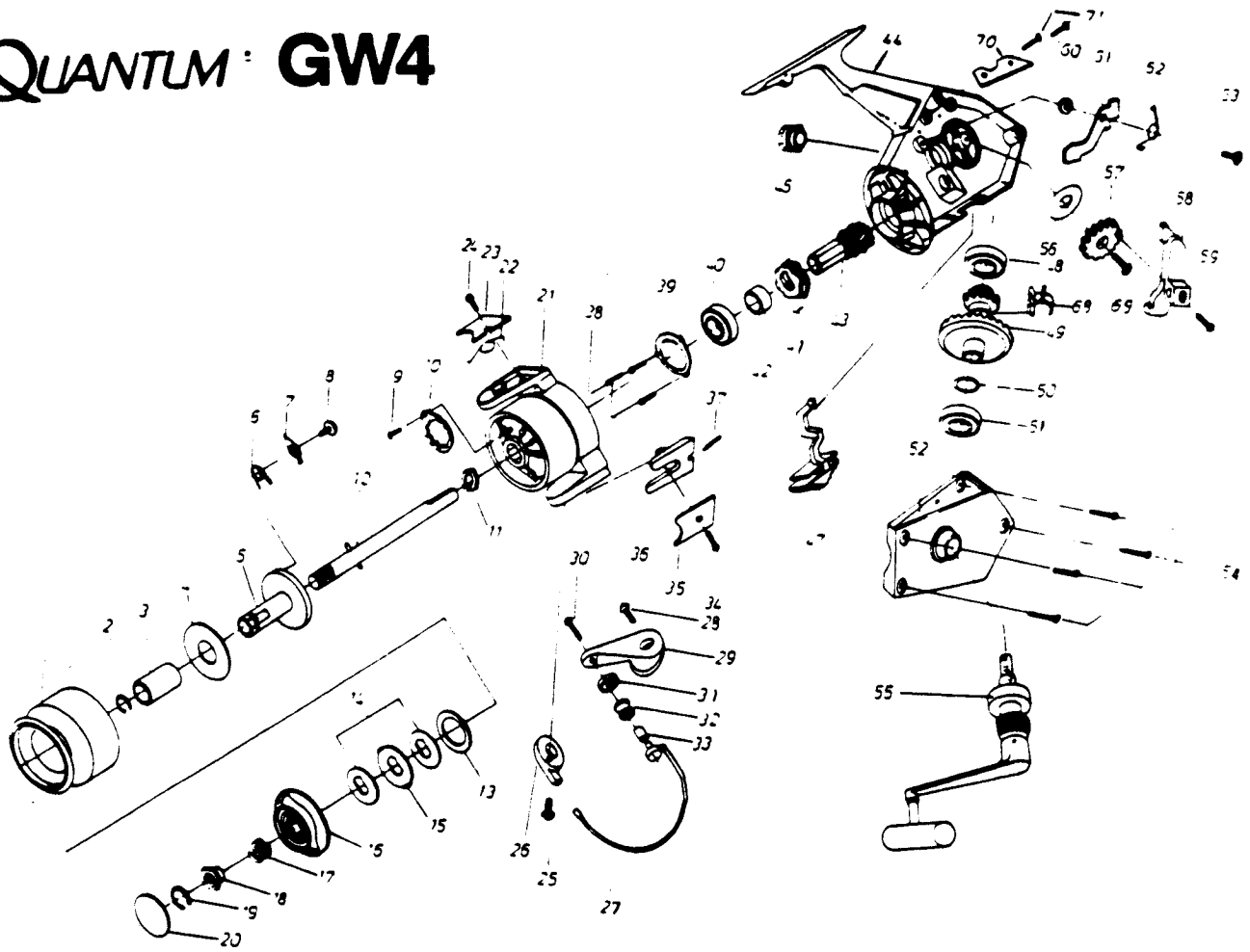


QUANTUM : GW4



KEY PART NO. NO.	DESCRIPTION	PRICE	KEY PART NO. NO.	DESCRIPTION	PRICE
1 BL321	SPOOL ASSY. (1-8,13-15)	9.46	41 UK060	STOPPER GEAR	2.09
4 UK163	SPOOL RETAINER BUSHING	1.87	42 UK126	PINION COLLAR	1.29
9 UK058	NUT RING SCREW	1.34	43 BLO11	PINION	10.04
10 UK088	ROTOR NUT RING	.91	44 BLO01	BODY	8.24
11 UK006	ROTOR NUT	1.29	45 UK073	DUST COVER	1.44
12 UK315	CENTER SHAFT	6.70	47 UK059	ANTI-REVERSE SWITCH	.97
13 UK046	DRAG WASHER 'C'	1.29	48 BL157	BODY/SIDE PLATE BEARING	8.50
14 UK039	DRAG WASHER 'B'	1.44	49 BLO12	CRANK GEAR	10.04
16 BLO50	DRAG KNOB ASSY. (16-20)	4.64	50 UK026	CRANK GEAR WASHER	.91
21 BLO09	ROTOR	5.00	51 BL157	BODY/SIDE PLATE BEARING	8.50
22 UK022	ARM LEVER SPRING	.91	52 BLO23	SIDE PLATE	5.41
23 UK087	ARM LEVER COVER	1.07	54 UK057	SIDE PLATE SCREW	2.31
24 UK085	ARM LEVER COVER SCREW	1.34	55 BL318	HANDLE ASSY.	10.51
25 UK048	BAIL HOLDER SCREW	1.34	56 UK165	OSC. GUIDE WASHER	.97
26 UK345	BAIL HOLDER	3.21	57 UK053	OSCILLATOR GEAR	1.29
27 UK346	BAIL WIRE	3.38	58 UK025	OSCILLATOR GUIDE	1.29
28 UK051	ARM LEVER SCREW	1.50	59 UK084	CENTER SHAFT SCREW	.75
29 UK007	ARM LEVER	1.34	60 UK014	STOPPER SUPPORT BUSHING	.91
30 UK108	LINE SLIDER SCREW	1.39	61 UK063	STOPPER	1.44
31 UK017	LINE SLIDER COLLAR	1.34	62 UK061	STOPPER SPRING	.91
32 UK004	LINE ROLLER	2.09	63 UK089	STOPPER SCREW	.97
33 UK016	LINE ROLLER BUSHING	1.61	64 UK166	STOPPER SUPPORT	1.87
34 UK037	BAIL HOLDER COVER SCREW	.75	68 UK086	SLIDING SPRING	.75
35 UK024	BAIL HOLDER COVER	1.07	69 UK078	OSC. GEAR SCREW	1.34
36 UK019	KICK LEVER	1.50	70 UK167	OSC. GUIDE SUPPORT	1.50
37 UK049	KICK LEVER SPRING	.75	71 UK168	OSC. SUPPORT SCREW	.75
38 UK080	BEARING COVER SCREW	1.07	72 UK065	ROTOR RETAINER WASHER	.88
39 UK040	BEARING COVER	1.39	73 BLO09	PINION WASHER	.82
40 UK028	PINION BEARING	9.37			

Prices subject to change without notice. Prices do not include postage and handling.

PLEASE ORDER BY PART NUMBER

Rev. 11/90

Zebco Division Brunswick Corporation, Box 270, Tulsa, OK 74101 USA 918-636-6581

