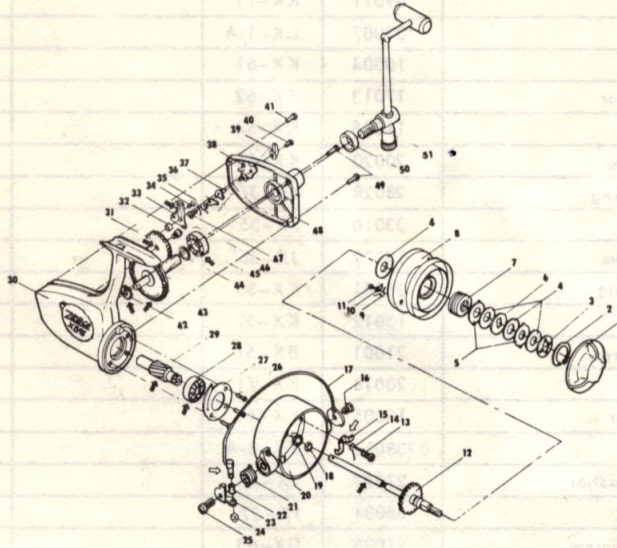


# ZEBCO PARTS LIST AND ORDER BLANK

## MODEL XB95 SPINNING REEL

PLEASE ORDER BY PART NUMBER, NOT KEY NUMBER



IF REQUIRED REPAIRS CANNOT BE MADE AT YOUR NEAREST FACTORY APPROVED SERVICE STATION, YOU MAY ORDER THE FOLLOWING REPLACEMENT PARTS DIRECT FROM THE FACTORY OR RETURN REEL TO FACTORY.

Your Order No. \_\_\_\_\_ Date \_\_\_\_\_  
 Charge To \_\_\_\_\_ Ship To \_\_\_\_\_  
 Address \_\_\_\_\_ Address \_\_\_\_\_  
 City & State \_\_\_\_\_ City & State \_\_\_\_\_

### DEFECTIVE PARTS REPLACED AT FACTORY ONLY

KEY NO.	DESCRIPTION	PART NO.		QUANTITY	PRICE	EXTENSION
		OLD	NEW			
1	Drag Knob Assembly	0232004	LX-32		\$1.25	
2	Drag Washer Retainer	39050	KX-28		.30	
3	Drag Washer A	26010A	KX-53		.20	
4	Drag Washer B	26012	KX-54		.30	
5	Drag Washer C	26011	KX-45		.35	
6	Drag Washer D	26010	KX-68		.20	
7	Spool Washer	28035	KX-30		.35	
8	Spool	06013	LX-21		4.73	
9	Spool Click Spring	28038	KX-34		.15	
10	Spool Click Claw	33009	KX-33		.15	
11	Spool Click Screw	19019	KX-31		.15	
12	Main Shaft Assembly	0212024	KX-15-A		2.00	
13	Bail Arm Lever Screw	19003	BX-48		.20	
14	Bail Arm Lever Spring	28037	LX-42		.15	
15	Bail Arm Lever	15011	LX-43		.35	✓
16	Bail Arm Cam B Screw	19024	KX-14		.50	
17	Bail Arm Assembly W/Cam B	0229005	LX-10-A		2.05	✓
18	Rotor Nut	18001	HX-6		.15	
19	Lock Washer	27068	KX-5		.05	
20	Rotor	05005	LX-9-A		2.95	
21	Bail Arm Spring	28036	KX-49		.30	✓
22	Bail Arm Line Roller	25004	KX-4		.35	
23	Bail Arm Cam A	15010	KX-7		.50	
24	Bail Arm Nut	18006	JX-19		.35	