

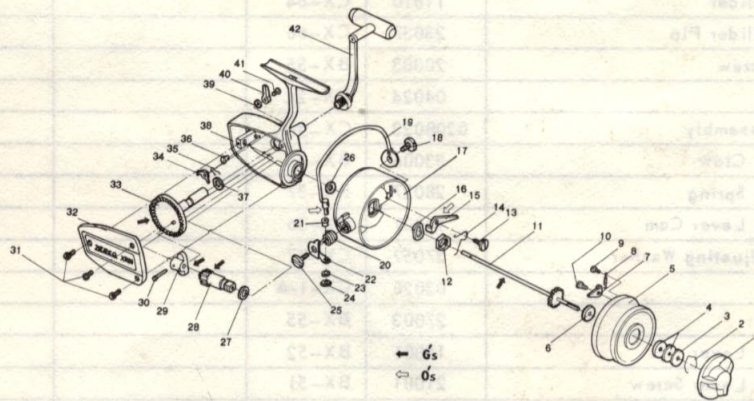


BRUNSWICK CORPORATION
CONSUMER DIVISION
 POST OFFICE BOX 270,
 TULSA, OKLAHOMA 74101

ZEBCO PARTS LIST AND ORDER BLANK

MODEL XR30 SPINNING REEL

PLEASE ORDER BY PART NUMBER, NOT KEY NUMBER



IF REQUIRED REPAIRS CANNOT BE MADE AT YOUR NEAREST FACTORY APPROVED SERVICE STATION, YOU MAY ORDER THE FOLLOWING REPLACEMENT PARTS DIRECT FROM THE FACTORY OR RETURN REEL TO FACTORY.

Your Order No. _____ Date _____
 Charge To _____ Ship To _____
 Address _____ Address _____
 City & State _____ City & State _____

DEFECTIVE PARTS REPLACED AT FACTORY ONLY

KEY NO.	DESCRIPTION	PART NO.		QUANTITY	PRICE	EXTENSION
		OLD	NEW			
1	Drag Knob	0232015	CX-32		\$.50	
2	Stopper Spring	28023	BX-28		.10	
3	Drag Washer	26017	CX-53		.10	
4	Drag Washer	26016	CX-30		.10	
5	Spool	06027	CX-21		2.04	
6	Drag Washer	27062	CX-45		.10	
7	Spool Click	33024	CX-33		.10	
8	Spool Click Spring	28077	CX-34		.10	
9	Spool Click Spring Screw	20027	CX-38		.10	
10	Spool Click Screw	21023	CX-31		.10	
11	Main Shaft Assembly	0212066	CX-15		.90	
12	Rotor Nut	18013	CX-6		.15	
13	Bail Arm Lever Screw	21026	CX-41		.30	
14	Bail Arm Lever Spring	28078	CX-42		.15	
15	Bail Arm Lever	15031	CX-43		.15	
16	Rotor Retaining Washer	27063	CX-5		.10	

(Continued on Reverse Side)