



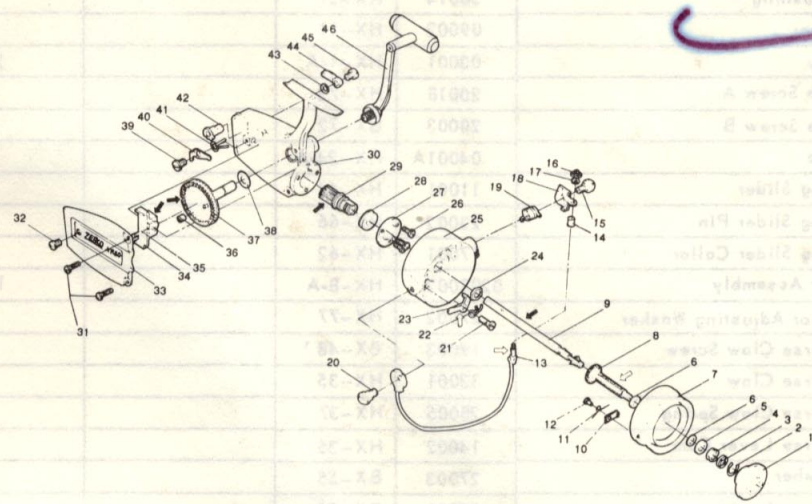
BRUNSWICK CORPORATION
CONSUMER DIVISION
 POST OFFICE BOX 270,
 TULSA, OKLAHOMA 74101

Canadian Prices 25% Higher

ZEBCO PARTS LIST AND ORDER BLANK

MODEL XR60 SPINNING REEL

PLEASE ORDER BY PART NUMBER, NOT KEY NUMBER



IF REQUIRED REPAIRS CANNOT BE MADE AT YOUR NEAREST FACTORY APPROVED SERVICE STATION, YOU MAY ORDER THE FOLLOWING REPLACEMENT PARTS DIRECT FROM THE FACTORY OR RETURN REEL TO FACTORY.

Your Order No. _____ Date _____

Charge To _____ Ship To _____

Address _____ Address _____

City & State _____ City & State _____

DEFECTIVE PARTS REPLACED AT FACTORY ONLY

KEY NO.	DESCRIPTION	PART NO.		QUANTITY	PRICE	EXTENSION
		OLD	NEW			
1	Drag Knob Assembly	0232001	HX-32		\$.85	
2	Stopper Spring	28004	EX-28		.10	
3	Drag Washer A	26001A	EX-53		.15	
4	Spool Spring	28007	EX-30		.30	
5	Drag Washer B	26001	EX-54		.15	
6	Drag Washer	27001	EX-45		.10	
7	Spool	0206001	HX-21		4.24	
8	Spool Click	0213001	HX-33		.90	
9	Main Shaft Assembly	0212002	HX-15-A		1.65	✓
10	Spool Click Claw	33027	HX-40		.15	
11	Spool Click Spring	28083	HX-34		.15	
12	Spool Click Screw	19054	HX-31		.10	
13	Bail Arm Assembly W/Cam B	0229001	HX-10		1.75	✓
14	Bail Arm Roller	25001	CX-4		.35	
15	Bail Arm Cam A Screw	19001	HX-16		.55	
16	Bail Arm Nut	18005	BX-19		.15	
17	Bail Arm Roller Washer	27021	DX-6		.10	
18	Bail Arm Cam A	15008	HX-7		.30	
19	Bail Arm Spring	28006	HX-49		.15	
20	Bail Arm Cam B Screw	19002	HX-14		.30	

(Continued on Reverse Side)