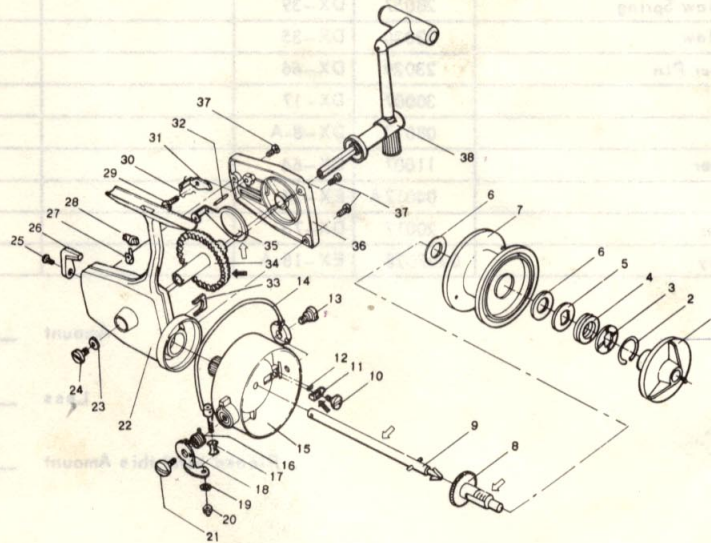




**BRUNSWICK CORPORATION**  
**CONSUMER DIVISION**  
 POST OFFICE BOX 270,  
 TULSA, OKLAHOMA 74101

## ZEBCO PARTS LIST AND ORDER BLANK MODEL XRL37 SPINNING REEL

PLEASE ORDER BY PART NUMBER, NOT KEY NUMBER



IF REQUIRED REPAIRS CANNOT BE MADE AT YOUR NEAREST FACTORY APPROVED SERVICE STATION, YOU MAY ORDER THE FOLLOWING REPLACEMENT PARTS DIRECT FROM THE FACTORY OR RETURN REEL TO FACTORY.

Your Order No. \_\_\_\_\_ Date \_\_\_\_\_  
 Charge To \_\_\_\_\_ Ship To \_\_\_\_\_  
 Address \_\_\_\_\_ Address \_\_\_\_\_  
 City & State \_\_\_\_\_ City & State \_\_\_\_\_

### DEFECTIVE PARTS REPLACED AT FACTORY ONLY

KEY NO.	DESCRIPTION	PART NO.		QUANTITY	PRICE	EXTENSION
		OLD	NEW			
1	Drag Knob	32010	EX-32		\$ .30	
2	Stopper Spring	28004	EX-28		.10	
3	Drag Washer A	26001A	EX-53		.15	
4	Spool Spring	28007	EX-30		.30	
5	Drag Washer B	26001	EX-54		.15	
6	Drag Washer	27001	EX-45		.10	
7	Spool Assembly	0206028	EX-21		3.25	
8	Spool Click	0213007A	EX-33		1.05	
9	Main Shaft Assembly	0212069	EX-15-A		.90	
10	Bail Arm Lever Screw	21014	DX-48		.20	
11	Bail Arm Lever	15019	DX-43		.30	
12	Bail Arm Lever Spring	28059	DX-42		.10	
13	Bail Arm Cam B Screw	19041	DX-14		.20	
14	Bail Arm Assembly W/Cam B	0229010	DX-10-1-A		1.45	
15	Rotor W/Pinion Gear	05010	EX-9-A		1.75	
16	Bail Arm Spring	28060	DX-49		.15	
17	Bail Arm Roller	25009	DX-4		.35	
18	Bail Arm Cam A	15020	DX-7		.40	
19	Bail Arm Roller Washer	27021	DX-6		.10	
20	Bail Arm Nut	18005	BX-19		.15	
21	Bail Arm Cam A Screw	19042	DX-16		.35	
22	Main Body	03011	EX-1-A		1.75	
23	Nylon Washer	27029	DX-5		.10	
24	Handle Retaining Screw	21008	DX-3		.20	

(Continued on Reverse Side)