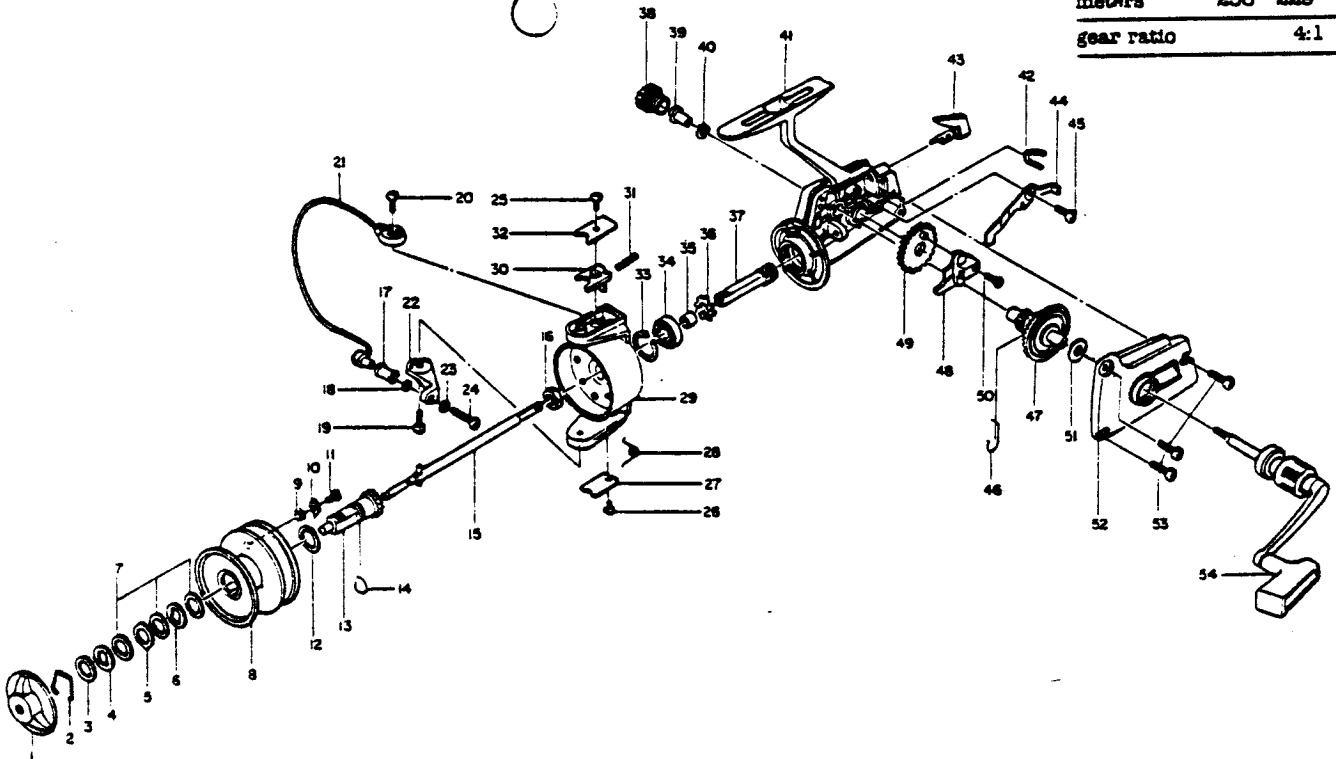


ZEBCO

STERLING™ 7050™

weight	18.5 oz/525 g		
pound test	14	17*	20
yards	280	250	180
meters	256	229	166
gear ratio	4:1		



Key No.	Part No.	Description	Key No.	Part No.	Description
1	MB37	*Drag Knob	28	FB22	Bail Spring
2	FB36	*Drag Retainer Clip	29	MB9	Rotor
3	MB35	*Spring Washer	30	FB19	Bail Trip Lever
4	MB31	*Drag Washer C	31	CB49	Bail Trip Spring
5	MB32	*Drag Drive	32	MB24	Bail Trip Cover
6	MB30	*Drag Washer A	33	DB40	Bearing Retainer
7	MB33	*Drag Washer B	34	DB28	Pinion Bearing
8	MB21	*Spool (See Assy.)	35	FB81	Pinion Spacer
9	LB57	*Spool Claw Spring	36	FB60	Anti-Reverse Ratchet
10	LB55	*Spool Claw	37	FB11	Pinion Gear
11	LB56	*Spool Claw Screw	38	MB73	Handle Retainer Cover
12	LB59	*Spool Spindle Washer	39	FB54	Handle Retainer
13	MB58	*Spool Spindle Assy.	40	FB56	Handle Retainer Washer
14	LB60	*Spool Spindle Spring	41	MB301	Body Assembly
15	MB15	Center Shaft	42	FB69	Anti-Rev. Knob Spring
16	DB6	Rotor Nut	43	FB59	Anti-Reverse Knob
17	FB4	Line Roller	44	MB63	Anti-Reverse Pawl
18	FB16	Line Roller Bushing	45	FB80	Anti-Rev. Pawl Screw
19	EB51	Bail Screw A	46	MB42	Anti-Reverse Actuator
20	EB51	Bail Screw B	47	MB12	Crank Gear
21	FB347	Bail Assembly	48	FB25	Oscillator Slider
22	EB7	Bail Arm A	49	FB53	Oscillator Gear
23	CB102	Bail Axle Screw	50	FB100	Osc. Slider Screw A
24	CB108	Bail Axle Screw	51	FB92	Crank Gear Shim
25	EB85	Bail Cover Screw	52	MB323	Side Plate Assy.
26	EB85	Bail Cover Screw	53	CB57	Side Plate Screw
27	MB25	Bail Spring Cover	54	MB318	Crank Handle Assy.

*Available as One Unit,
MB321 Spool Assy. (Keys 1-14)

PLEASE ORDER BY PART NUMBER

Zebco Division Brunswick Corporation, Box 270, Tulsa, OK 74101 USA 918-836-5581