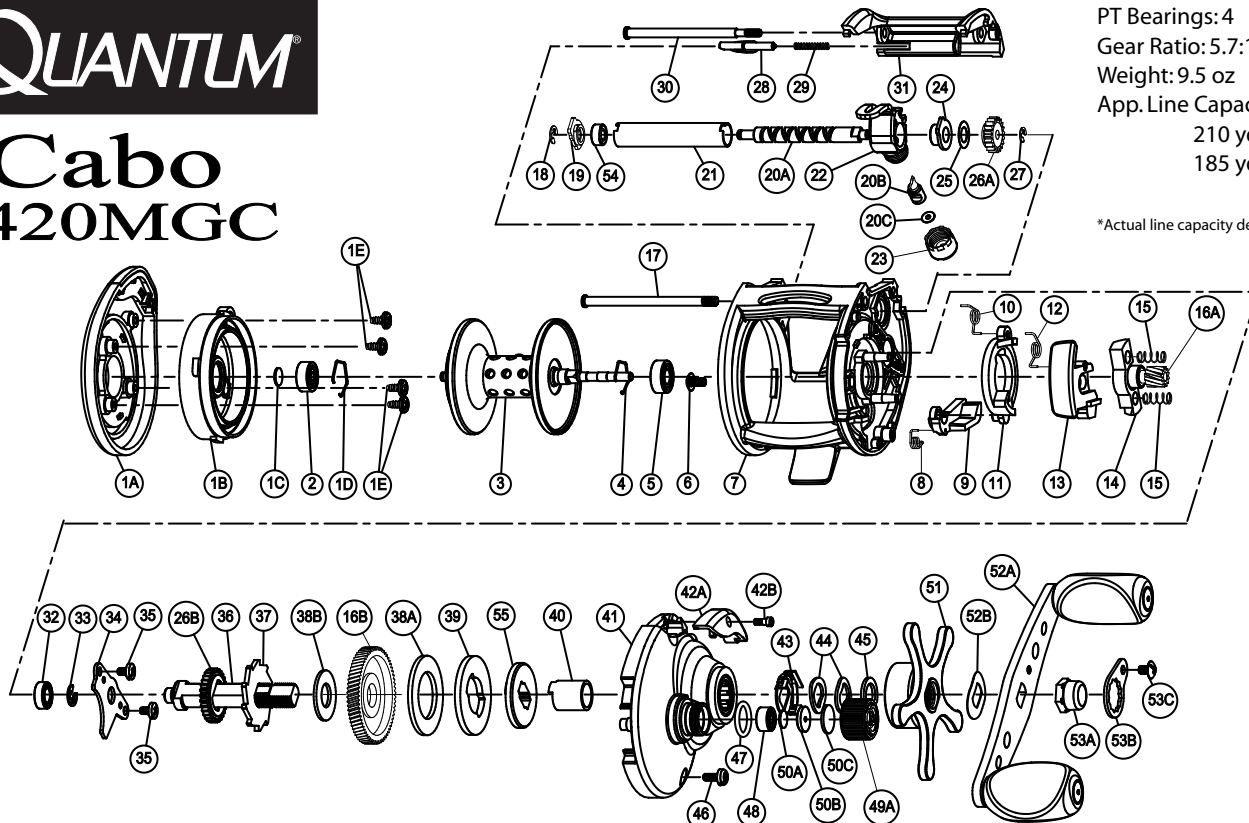


QUANTUM

Cabo 1420MGC



PT Bearings: 4
 Gear Ratio: 5.7:1
 Weight: 9.5 oz
 App. Line Capacity*:
 210 yds / 12 lbs
 185 yds / 14 lbs

*Actual line capacity dependent on line diameter

Key #	Description	Part No.
1	Palm Side Cover Kit include 1A - Palm Side Cover Assembly 1B - Spool Cover Assembly 1C - Spool Shaft Washer 1D - Clip Ring 1E - Spool Cover Screw 2 - Spool Shaft Bearing (Palm)	GX4023-01
2	Palm Side Spool Shaft Bearing	QV017-01
3	Spool Assembly	GX321-01
4	Clip Ring	EX080-01
5	Gear Side Spool Shaft Bearing	EX017-02
6	Gear Side Cover Screw -A	QW123-01
7	Frame	GX001-01
8	Kick Lever Spring	GX097-01
9	Kick Lever	GX077-01
10	Release Slider Spring	GX104-01
11	Release Slider	GX039-01
12	Push Button Spring	GX089-01
13	Push Button	GX062-01
14	Pinion Yoke	GX025-01
15	Yoke Spring	GX040-01
16	Gear Kit include 16A - Pinion Gear Assembly 16B - Drive Gear	GX4011-01
17	Stablizer Bar - "B"	MX061-01
18	E-Clip	NX092-01
19	Palm Side Worm Shaft Bushing	GX067-01
20	Worm Shaft Kit Include 20A - Worm Shaft 20B - Line Guide Pawl 20C - Carrier Washer	GX4072-01
21	Worm Shaft Guide	GX016-01
22	Line Guide Carrier	GX047-01
23	Line Guide Carrier Screw	ZW007-02
24	Gear Side Worm Shaft Bushing	HV068-01
25	Worm Shaft Washer	EX035-01
26	O/S Gear Kit include 26A - O/S Pinion Gear 26B - O/S Drive Gear	GX4085-01
27	E-Clip	NX090-01
28	Palm Side Cover Locking Lever	GX119-01

Key #	Description	Part No.
29	Palm Side Cover Locking Spring	ZW096-01
30	Stablizer Bar - "A"	GX061-01
31	Front Support	GX099-01
32	Crank Shaft Bearing - Lower	SW017-01
33	E-Clip	QW120-01
34	Crank Shaft Retainer	GX002-01
35	Crank Shaft Retainer Screw	JX107-01
36	Crank Shaft	GX008-01
37	Trip Ratchet	EX083-01
38	Drag Disc Kit include 38A - Drag Disc 38B - Trip Ratchet Washer	HV4059-01
39	Drag Key Washer	GX045-01
40	One Way Bearing Sleeve	GX052-01
41	Gear Side Cover Assembly	GX324-01
42	Oil Port Cap Kit include 42A - Oil Port Cap 42B - Oil Port Cap Screw	GX4150-01
43	Drag Click Spring Assembly	GX4114
44	Spring "D" Washer	JX046-01
45	Star Drag Washer	ZW032-02
46	Gear Side Cover Screw - B	GX107-01
47	Tension Knob O-Ring	QW101-01
48	Tension Knob Bushing	QW117-01
49	Tension Knob Kit include 49A - Spool Tension Knob 50 - Spool Tension Washer Kit	HV4033-01
50	Spool Tension Washer Kit Include 50A - Spool Tension Washer 50B - Spool Tension Collar 50C - Spool Cushion Washer	QW4032-01
51	Star Dag	GX055-01
52	Handle Kit include 52A - Handle Assembly 52B - Handle Washer 53 - Handle Nut Kit	GX4018-01
53	Handle Nut Kit include 53A - Handle Nut 53B - Handle Nut Cap 53C - Handle Nut Cap Screw	QW4003-01