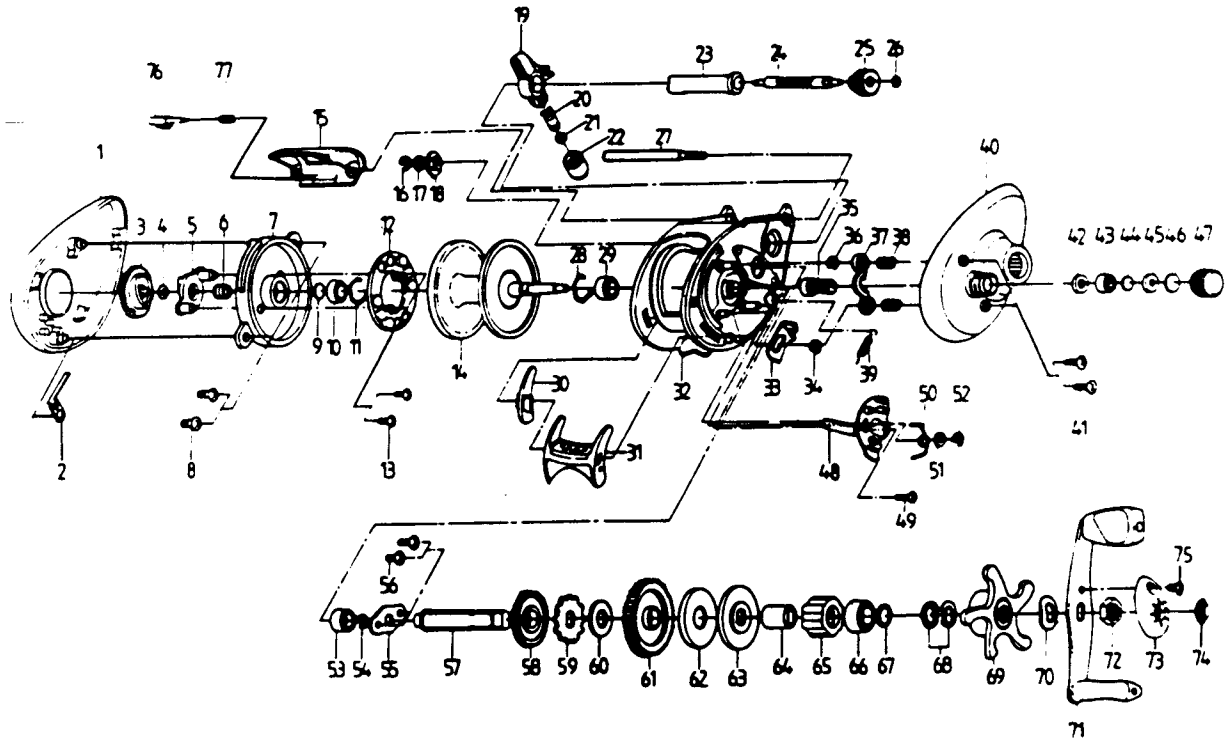


QUANTUM E500



Key No.	Part No.	Description	Price	Key No.	Part No.	Description	Price
1	ZW023-02	Left Side Cover	8.50	40	ZW024-02	Right Side Cover	9.00
2	ZW108-01	Clicker	1.00	41	QW053-01	Right Side Cover Screw	.67
3	ZW026-01	Magnet Dial	1.60	42	QW101-01	Spool Tension Knob O-Ring	.26
4	NX105-01	Dial Friction Ring	.62	43	QW117-01	Spool Tension Knob Bushing	.21
5	ZW028-01	Slide Cam	1.20	44	QW032-01	Spool Tension Washer	.52
6	NX071-01	Slide Cam Spring	.52	45	QW081-01	Spool Tension Collar	4.02
7	ZW051-01	Spool Cover	2.80	46	QW082-01	Spool Cushion Washer	.67
8	ZW125-01	Spool Cover Screw	1.00	47	ZW033-01	Spool Tension Knob	5.00
9	QW032-01	Spool Tension Shim	.52	48	ZW039-01	Release Slider	3.10
10	SW017-01	Ball Bearing - Spool Shaft	6.80	49	ZW053-01	Thumb Bar Screw	1.00
11	QW080-01	Clip Ring	.52	50	ZW104-01	Release Slider Spring	1.00
12	QW330-01	Magnet Plate Assy	2.88	51	SW121-01	Release Slider Guide Washer	.50
13	QW076-01	Magnet Plate Screw	.67	52	NX090-01	Release Slider Guide E-Clip	.41
14	ZW321-01	Spool Assy	14.85	53	SW0107-01	Crank Shaft Lower Bearing	.75
15	ZW027-02	Front Support	3.40	54	QW120-01	Crank Shaft E-Clip	.26
16	NX092-01	Worm Shaft E-Clip	.30	55	ZW002-01	Crank Shaft Retainer	1.20
17	QW035-03	Worm Shaft Washer	.26	56	TW107-01	Crank Shaft Retainer Screw	.10
18	QW067-01	Worm Shaft Bushing	.67	57	ZW008-01	Crank Shaft	5.60
19	ZW347-01	Line Guide Carrier Assy	5.70	58	ZW112-01	Oscillate Drive Gear	1.55
20	ZW006-01	Line Guide Pawl	2.80	59	QW083-01	Trip Ratchet	.36
21	QW035-03	Line Guide Pawl Washer	.26	60	QW111-01	Trip Ratchet Washer	.26
22	ZW007-01	Pawl Cap Screw	2.85	61	VW012-01	Drive Gear	10.75
23	ZW016-01	Worm Shaft Guide	2.00	62	QW059-01	Drag Disc	1.70
24	ZW072-01	Worm Shaft	7.20	63	QW045-01	Drag "D" Washer	.82
25	ZW085-01	Oscillate Pinion Gear	1.75	64	CW052-01	One Way Bearing Sleeve	2.88
26	NX090-01	Oscillate Pinion Gear E-Clip	.41	65	UQ063-02	One Way Bearing	9.27
27	ZW061-01	Stabilizer Bar	2.80	66	TV058-01	Crank Shaft Ball Bearing	7.21
28	QW080-01	Clip Ring	.52	67	TW035-02	Crank Shaft Washer	.46
29	SW017-01	Ball Bearing - Spool Shaft	6.80	68	QW046-02	Spring "D" Washer	.98
30	ZW056-01	Thumb Bar Retainer	.50	69	ZW055-01	Star Drag	2.80
31	ZW309-01	Thumb Bar Assy	1.00	70	QW054-01	Handle Washer	.72
32	ZW301-01	Frame Assy	18.00	71	ZW318-01	Handle Assy	6.35
33	ZW077-01	Kick Lever	1.55	72	QW003-03	Handle Nut	1.65
34	QW120-01	Pinion Yoke Shaft E-Clip	.26	73	ZW034-01	Handle Nut Cap	1.00
35	VW311-01	Pinion Gear Assy	10.25	74	ZW130-01	Line Indicator	1.00
36	QW120-01	Pinion Yoke Shaft E-Clip	.26	75	QW123-01	Handle Nut Cap Screw	.15
37	ZW025-01	Pinion Yoke	1.00	76	ZW119-01	Side Cover Locking Lever	1.00
38	QW040-01	Pinion Yoke Spring	.67	77	ZW096-01	Locking Lever Spring	1.00
39	ZW097-01	Kick Lever Spring	.65				

Prices subject to change without notice. Prices do not include postage and handling.

PLEASE ORDER BY PART NUMBER

Rev. 7/95

Zebco Division Brunswick Corporation, Box 270, Tulsa, OK 74101 USA 918-836-5581

