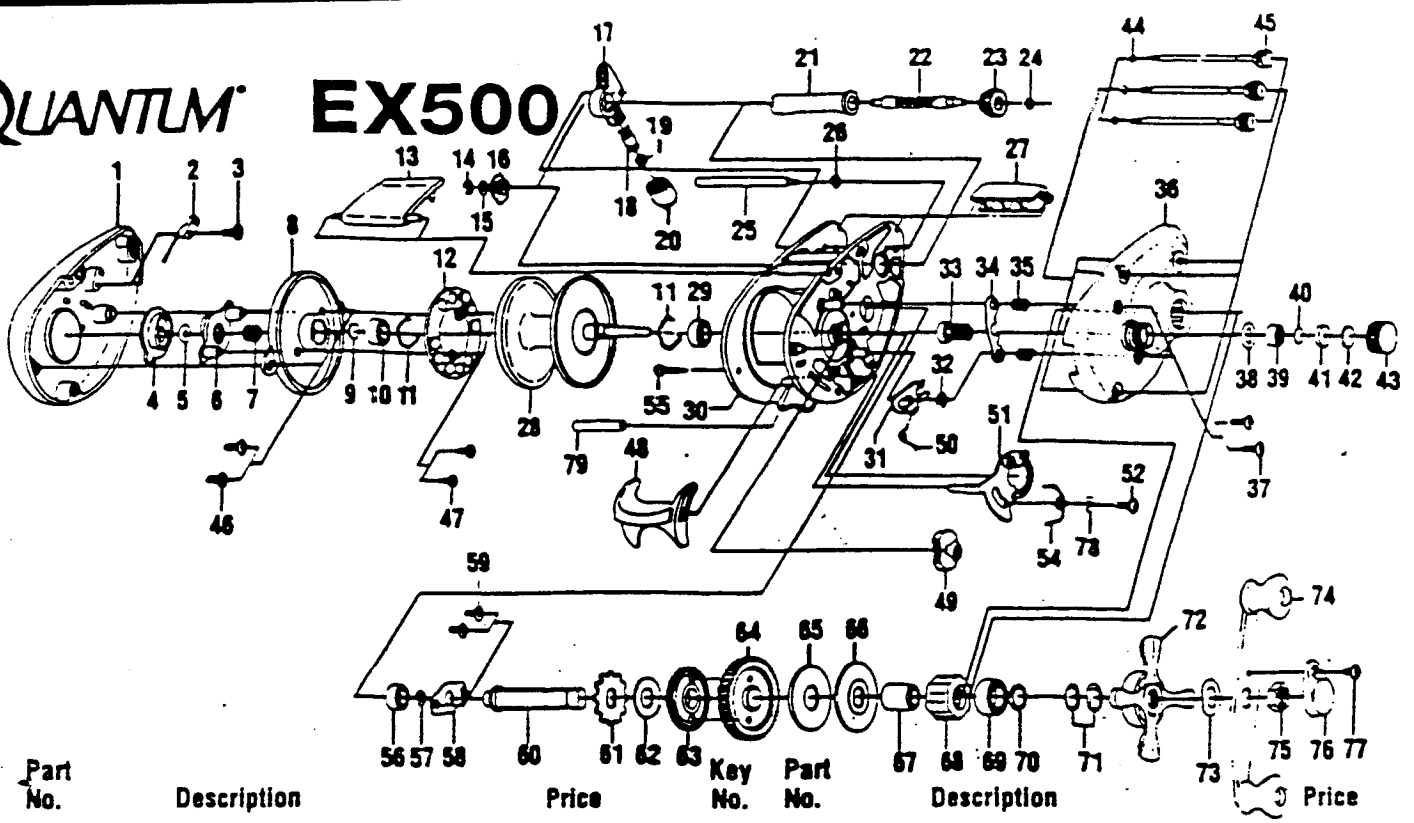


# QUANTUM

# EX500



Key No.	Part No.	Description	Price	Key No.	Part No.	Description	Price
1	SW023	LEFT SIDE COVER	8.24	41	QW081	COLLAR	.93
2	QW108	CLICKER	.93	42	QW082	SPOOL CUSHION WASHER	.93
3	QW125	SPOOL COVER SCREW	.93	43	QW033	SPOOL TENSION KNOB	2.83
4	SW026	MAGNET CONTROL DIAL	1.24	44	QW073	RING-THUMB SCREW RET.	1.13
5	CX4250	O RING	.49	45	QW374	THUMB SCREW	1.13
6	QW028	SLIDE CAM	1.13	46	QW125	SPOOL COVER SCREW	.93
7	CX4301	MAGNET RET. SPRING	.36	47	QW076	SCREW	.62
8	QW051	SPOOL COVER	2.68	48	SW009	THUMB BAR	2.73
9	QW032-1	SPOOL TENSION KNOB	.52	49	SW087	FLIPPIN' SWITCH	.93
10	QW017	CRANK SHAFT BEARING	6.59	50	QW097	KICK LEVER SPRING	.62
11	QW080	CLIP RING	.52	51	SW039	RELEASE SLIDER	2.16
12	QW330	MAGNET PLATE ASSY	5.51	52	QW076	SCREW	.62
13	SW027	HOOD	5.46	53	SW041	SPRING ANCHOR	.93
14	ZX4657	RETAINER CLIP	.69	54	UW104	RELEASE SLIDER SPRING	.62
15	QW035-3	WASHER - WORM SHAFT	.62	55	SW120	PIVOT SPRING	.93
16	QW067	WORM SHAFT BUSHING	.93	56	SW017	CRANK SHAFT BEARING	6.59
17	QW347	LINE GUIDE CARRIER	5.51	57	CX4152	WORM SHAFT RETAINER	.31
18	QW006	LINE GUIDE PAWL	2.68	58	QW002	CRANK SHAFT RETAINER	1.13
19	QW035-3	WASHER - WORM SHAFT	.62	59	QW107	CRANK SHAFT RET. SCREW	.93
20	QW007	LINE GUIDE CARRIER SCREW	2.16	60	QW008	CRANK SHAFT	5.41
21	QW016	WORM SHAFT GUIDE	1.91	61	QW083	TRIP RATCHET	1.70
22	QW072	WORM SHAFT	6.95	62	QW111	WASHER	.62
23	QW085	LEVEL WIND GEAR	1.70	63	QW112	GEAR - L/W IDLER	1.49
24	WX4153	E-CLIP (THUMB BAR)	.62	64	SW012	DRIVE GEAR	10.56
25	QW061	STABILIZER BAR	2.58	65	QW059	DRAG DISC	2.94
26	VX4243	E-CLIP	.62	66	QW045	DRAG WASHER	1.24
27	SW099	FRONT SUPPORT	3.24	67	QW052	CLUTCH SLEEVE	3.19
28	QW321	SPOOL ASSY	14.42	68	QW063	ANTI-REVERSE CLUTCH	10.56
29	SW017	CRANK SHAFT BEARING	6.59	69	TW058	BEARING - CRANK SHAFT TOP	6.70
30	SW001	FRAME	8.45	70	QW035	CRANK SHAFT WASHER	1.49
31	SW077	KICK LEVER	1.49	71	CX4662	DRIVE SHAFT SPR. WSHR	.36
32	CX4152	WORM SHAFT RETAINER	.31	72	QW055	DRAG STAR	2.73
33	SW311	PINION GEAR	10.04	73	CX4660	HANDLE WASHER	.36
34	SW025	PINION YOKE	2.11	74	QW318	HANDLE ASSY	6.18
35	QW040	PINION YOKE SPRING	.93	75	QW003	HANDLE NUT	1.60
36	SW324	RIGHT SIDE COVER	8.55	76	QW034	HANDLE NUT CAP	.93
38	CX4258	O RING	.36	77	QW123	HANDLE NUT CAP SCREW	.93
39	SW117	BEARING	8.45	78	SW121	RELEASE SLIDER WASHER	.62
40	QW032-1	SPOOL TENSION KNOB	.52				

Prices subject to change without notice. Prices do not include postage and handling.

**PLEASE ORDER BY PART NUMBER**

Rev. 5/93

Zebco Division Brunswick Corporation, Box 270, Tulsa, OK 74101 USA 918-836-5581

