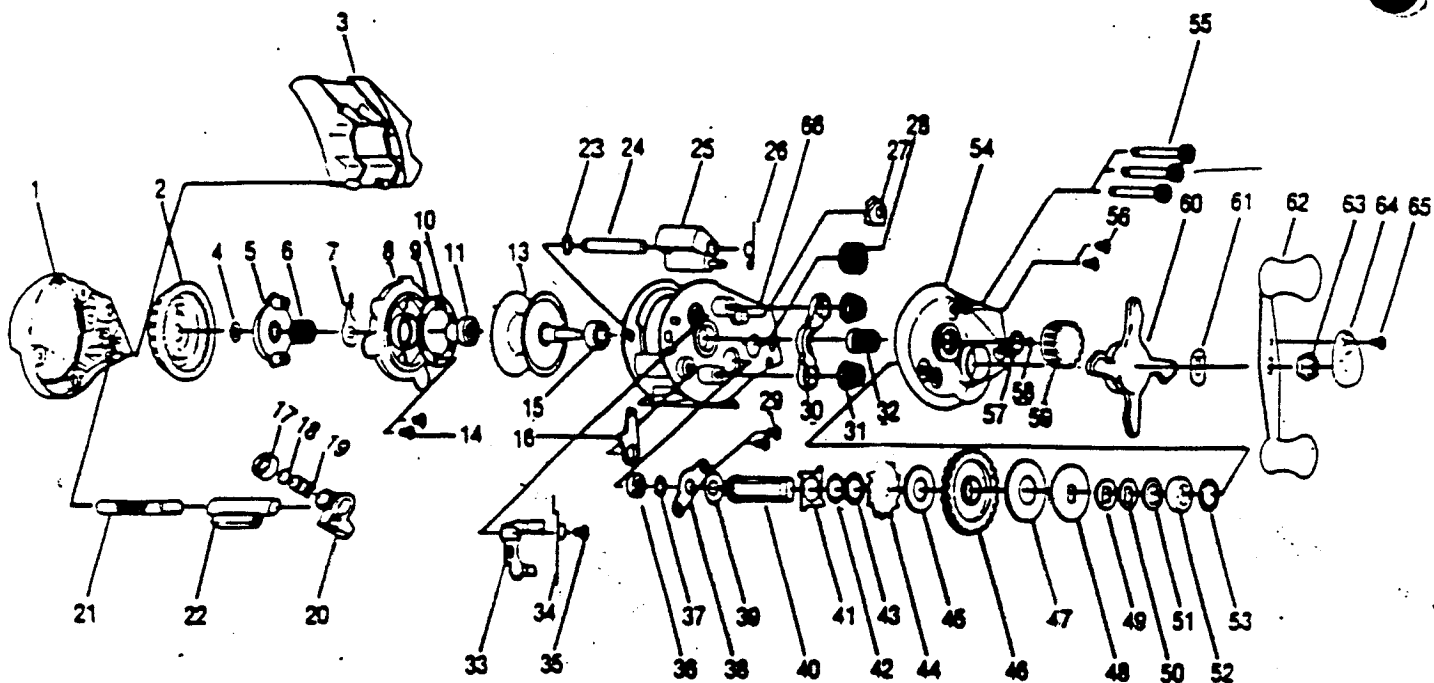


QUANTUM QL550



| Key No. | Part No. | Description | Price | Key No. | Part No. | Description | Price |
|---------|----------|--------------------------|-------|---------|----------|-----------------------|-------|
| 1 | WW023-3 | LEFT SIDE COVER | 6.28 | 34 | WW109 | SPRING-RELEASE SLIDER | 1.49 |
| 2 | WW026 | MAGNET CONTROL DIAL | 1.49 | 35 | WW076 | SCREW-RELEASE SLIDER | .77 |
| 3 | WW027-3 | HOOD | 3.24 | 36 | WW103 | CRANK SHAFT BUSHING | .88 |
| 4 | NX105 | DIAL FRICTION RING | .77 | 37 | QW120 | E-RING | .52 |
| 5 | WW028 | SLIDE CAM | .93 | 38 | WW002 | RETAINER-CRANK SHAFT | 1.03 |
| 6 | NX071 | SLIDE CAM SPRING | .67 | 39 | WW104 | WASHER-CRANK SHAFT | .52 |
| 7 | WW108 | CLICKER | .88 | 40 | WW008 | CRANK SHAFT | 2.99 |
| 8 | WW051 | SPOOL COVER | 6.64 | 41 | GW083 | TRIP RATCHET | 2.25 |
| 9 | WW330 | MAGNET PLATE ASSEMBLY | 6.64 | 42 | WW105 | WASHER-TRIP RATCHET | .88 |
| 10 | WW082 | SPOOL TENSION SHIM | .41 | 43 | WW111 | WASHER-RATCHET | .93 |
| 11 | WW017 | SPOOL SHAFT BUSHING | .46 | 44 | WW091 | A/R RATCHET | .93 |
| 13 | WW321 | SPOOL ASSEMBLY | 8.29 | 45 | WW110 | WASHER-DRIVE GEAR | .93 |
| 14 | QW076 | SCREW | .62 | 46 | WW012 | DRIVE GEAR | 8.19 |
| 15 | WW017 | SPOOL SHAFT BUSHING | .46 | 47 | WW059 | DRAG DISC | 2.68 |
| 16 | WW084 | LINK | .98 | 48 | WW045 | WASHER-DRAG | 1.24 |
| 17 | QW007 | LINE GUIDE CARRIER SCREW | 2.16 | 49 | QW048 | SPRING WASHER D | .98 |
| 18 | QW035 | CRANK SHAFT WASHER | 1.49 | 50 | QW048 | SPRING WASHER D | .98 |
| 19 | WW006 | LINE GUIDE PAWL | 2.16 | 52 | WW058 | BEARING | 8.09 |
| 20 | WW347 | LINE GUIDE CARRIER | 1.08 | 54 | WW024-3 | RIGHT SIDE COVER | 3.40 |
| 21 | WW072 | WORM SHAFT | 5.51 | 55 | WW374 | THUMB SCREW | 1.44 |
| 22 | WW016 | WORM SHAFT GUIDE | 1.08 | 56 | QW050 | THUMB REST SCREW | .93 |
| 23 | QW120 | E-RING | .52 | 57 | WW101 | TENSION KNOB O-RING | .77 |
| 24 | WW050 | THUMB BAR PIN | 1.24 | 58 | WW032 | WASHER-TENSION KNOB | .46 |
| 25 | WW309 | THUMB BAR ASSEMBLY | 2.21 | 59 | WW033 | TENSION KNOB | .93 |
| 26 | WW022 | THUMB BAR SPRING | .88 | 60 | WW055 | DRAG STAR | 2.94 |
| 27 | WW363 | A/R PAWL ASSEMBLY | 1.75 | 61 | NX054 | WASHER-HANDLE | .77 |
| 28 | WW085 | LEVEL WIND GEAR | .93 | 62 | WW318 | HANDLE ASSEMBLY | 5.51 |
| 29 | WW107 | SCREW | .67 | 63 | QW003 | HANDLE NUT | 1.60 |
| 30 | WW025 | PINION YOKE | .93 | 64 | QW034 | HANDLE NUT CAP | .93 |
| 31 | WW040 | SPRING YOKE | .52 | 65 | QW123 | HANDLE NUT CAP SCREW | .93 |
| 32 | WW311 | PINION ASSEMBLY | 3.30 | 66 | WW001 | FRAME | 3.61 |
| 33 | WW039 | RELEASE SLIDER | 1.24 | | | | |

Prices subject to change without notice. Prices do not include postage and handling.

PLEASE ORDER BY PART NUMBER

Rev. 5/93

Zebco Division Brunswick Corporation, Box 270, Tulsa, OK 74101 USA 918-836-5581

