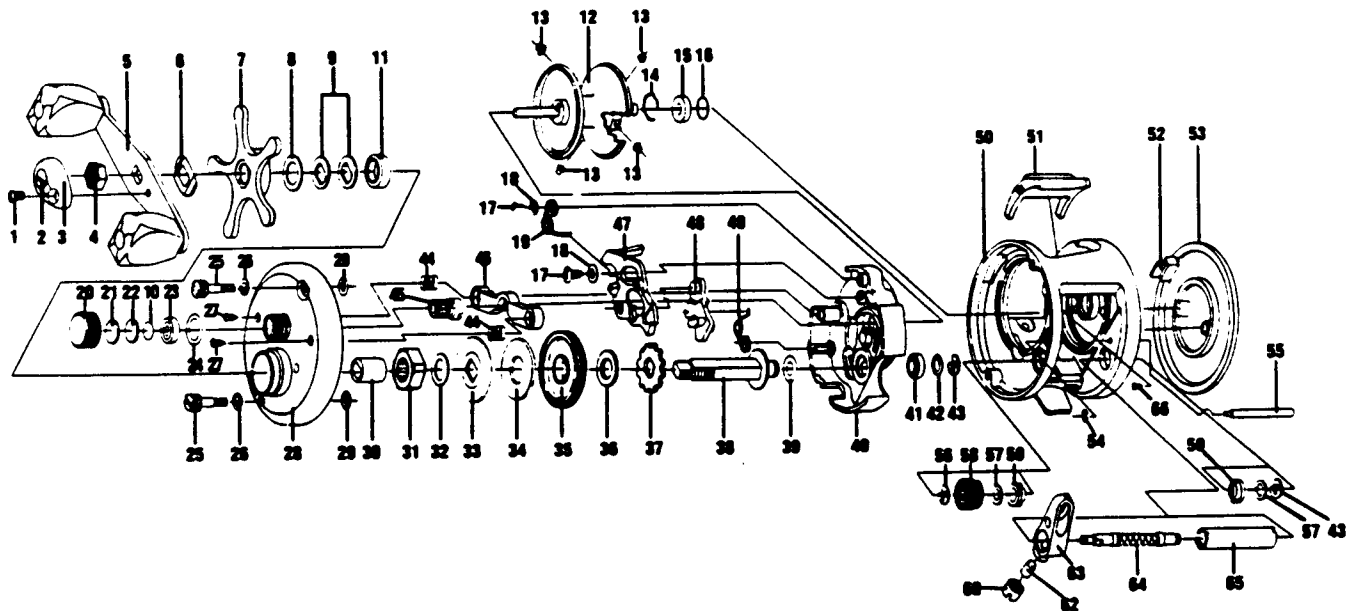


QUANTUM US600LTD



Key No.	Part No.	Description	Price	Key No.	Part No.	Description	Price
1	QW123-02	Handle Nut Cap Screw	.15	34	RR111-04	Large Drag Washer	.30
2	QT130-01	Crankhandle Nut Cap Insert	.20	35	QT012-01	Drive Gear	3.30
3	QT034-01	Crankhandle Nut Cap	.30	36	RR111-02	Small Drag Washer	.30
4	QT003-01	Crankhandle Nut	.20	37	QT083-01	Trip Ratchet	.85
5	TW318-03	Crankhandle Assy	6.18	38	QT008-01	Crankshaft	2.30
6	QT054-01	Crankhandle Washer	.25	39	RR110-04	Crankshaft Washer	.20
7	QT355-02	Drag Star Assembly	2.90	40	QT010-01	Set Plate	2.95
8	RR110-07	Washer	.20	41	BJ017-01	Crankshaft Bearing	5.90
9	NX046-01	Spring "D" Washer	.25	42	RR110-05	Crankshaft Bushing Washer	.20
10	QT032-05	Spool Tension Washer	.25	43	RR190-02	E-Clip	.25
11	TW058-01	Bearing	3.65	44	RR160-02	Pinion Yoke Spring	.30
12	QT321-02	Spool Assembly	14.42	45	QT011-02	Pinion Gear	2.95
13	QT044-02A	Brake Collar	.20	46	QT025-01	Pinion Yoke	.55
14	QT080-01	Bearing Retainer	.35	47	QT039-01	Release Slider	.95
15	BJ017-02	Ball Bearing	5.90	48	QT077-01	Kick Lever	.35
16	QT032-04	Spool Shaft Washer	.25	49	RR161-01	Kick Lever Spring	.30
17	RR131-01	Release Slider Screw	.20	50	QT301-03	Frame Assy	21.80
18	RR110-02	Washer	.20	51	QT009-01	Thumb Bar	1.95
19	RR161-02	Release Slider Spring	.30	52	QT050-01	Thumb Bar Retainer	.45
20	QT033-02	Cast Control Cap	2.10	53	QT323-02	Left Sidecover Assy	6.60
21	QT032-32	Cushion Washer	.60	54	RR190-01	E-Clip	.25
22	QT081-01	Spool Boss Tension Collar	.25	55	QT061-02	Levelwind Guide	.65
23	QT017-01	Spool Bearing	8.45	56	RR190-03	E-Clip	.25
24	MZ088-01	Tension Knob O-Ring	.25	57	RR110-03	Levelwind Washer	.20
25	QT074-02	Thumb Screw	1.40	58	QT085-01	Levelwind Gear	1.80
26	RR111-01	Thumb Screw Washer	.20	59	QT067-01	Levelwind Bushing	2.95
27	RR130-02	Right Sidecover Screw (Handle Side)	.25	60	QT007-02	Pawl Cap	1.95
28	QT324-03	Right Sidecover (Handle Side) Assy	27.50	62	QT006-02	Levelguide Pawl	.75
29	MZ088-02	Thumb Screw O-Ring	.25	63	QT347-02	Carrier Assembly	2.15
30	QW052-03	Clutch Sleeve	.50	64	QT072-01	Levelwind Shaft	2.10
31	UQ063-02	One Way Clutch	9.00	65	QT016-02	Levelwind Guard	1.75
32	RR110-06	Sleeve Washer	.20	66	RR130-01	Sidecover Screw	.25
33	QT045-01	Key Drag Washer	.45				

Prices subject to change without notice. Prices do not include postage and handling.

PLEASE ORDER BY PART NUMBER

Rev. 6/95

Zebco Division Brunswick Corporation, Box 270, Tulsa, OK 74101 USA 918-836-5581

